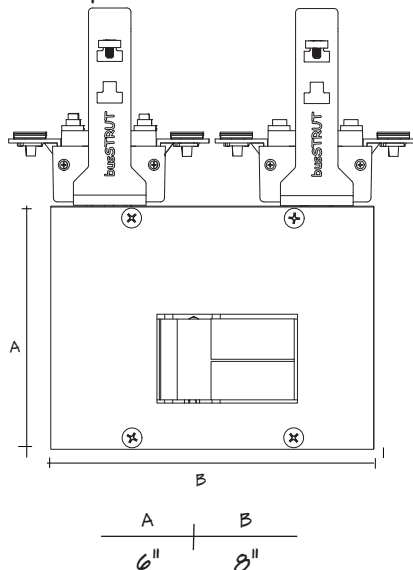


CUBE FUSES
(2P) two circuits
up to 20 Amps (20A x 2 = 40A)

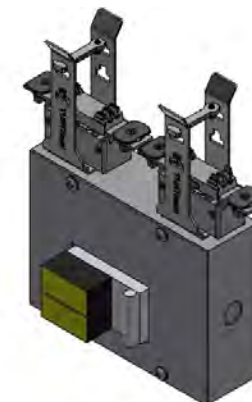


busSTRUT (single and double-deck)			
Product	Voltage	Amp	Catalog Number
LINE-FEED (FUSED)	UNIVERSAL 120/277	Custom	P20-3-40-UNIV-TCF-(F)-(C)

Finish - G=Galvanized W=White B=Black
Option Code - Custom Amperages Available

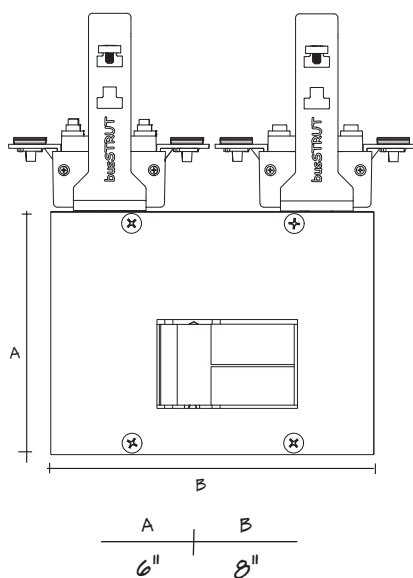
Indicating CUBEFuse

TCF6	TCF20
TCF10	TCF30
TCF15	TCF35
TCF17-1/2	TCF40



CUBEFused line-feed (up to 20 Amps) can be positioned anywhere on busSTRUT to reduce the length of homeruns. Features a 3 Pole Fiter that powers up to two 20A circuits; 40A max. Available in galvanized, powder coated white and black. Universal 120/277V. Mounts to both single and double-deck busSTRUT/20. Factory installed Fuse Holders.

CUBE FUSES
(2P) two circuits
up to 40 Amps (40A x 2 = 80A)

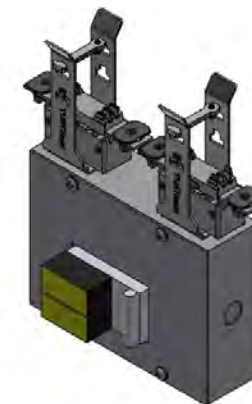


busSTRUT (single and double-deck)			
Product	Voltage	Amp	Catalog Number
LINE-FEED (FUSED)	UNIVERSAL 120/277	Custom	P40-3-80-UNIV-TCF-(F)-(C)

Finish - G=Galvanized W=White B=Black
Option Code - Custom Amperages Available

Indicating CUBEFuse

TCF6	TCF20
TCF10	TCF30
TCF15	TCF35
TCF17-1/2	TCF40



CUBEFused line-feed (up to 40 Amps) can be positioned anywhere on busSTRUT to reduce the length of homeruns. Features a pair of 3 Pole Fitters that power up to two 40A circuits; 80A max. Available in galvanized, powder coated white and black. Universal 120/277V. Mounts to both single and double-deck busSTRUT/40. Factory installed Fuse Holders.