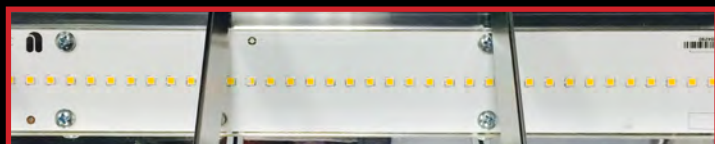




bvsSTRUT : GALVANIZED
fixture : silver

LW LED WALLWASH
'UNIBODY' with Louver Blades

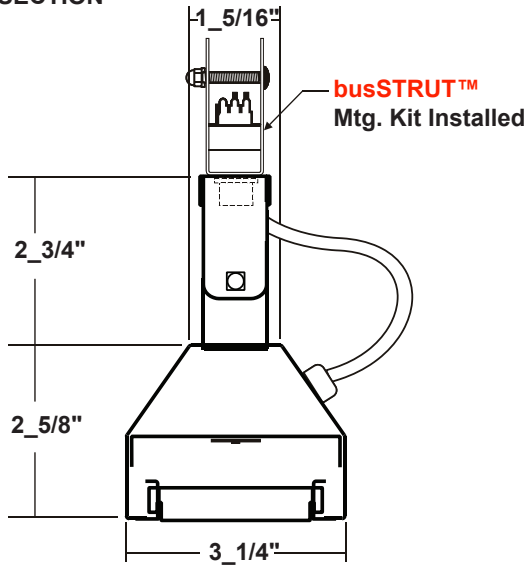
LED WALLWASH



INTEGRAL LED BOARD USED IN PLACE OF FLUORESCENT LAMP

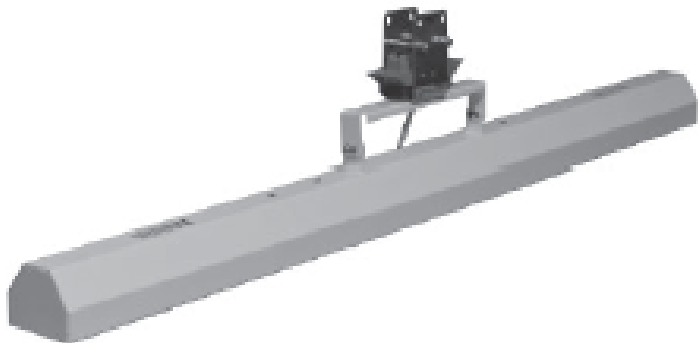
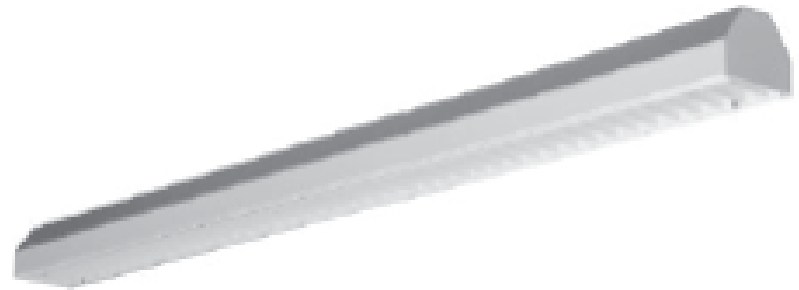
| TYPE | Fixture | | | LED SYSTEM | | | | Ballasts | | Louver Color | Mnt Kit Color | Option Codes | Finishes | Catalog Number | |
|------------------------------------------------------|----------|------|--------|------------------|------|-----|--------|----------|-----|----------------------|---------------|--------------|--------------------------------|----------------|-------------------------------------------------------------------|
| | busSTRUT | Type | Length | Delivered Lumens | Type | No. | Lumens | Watts | No. | Voltage | (LC) | (MK) | (OC) | (F) | |
| LED LWseries LOUVER WALLWASH Adjustable | BR | LED | 4' | 4533 | LED | 2 | 6000 | 52 | 1 | Universal 120/277 | WH = White | WH = White | L3 = 3000K or L4 = 4000K | WH = White | BR-LED4-4K-U-WH-WH-L3-WH or BR-LED4-4K-U-WH-WH-L4-WH |

CROSS SECTION



| Series Number | Lamps Qty | Lamps Type | Nominal Length |
|---------------|-----------|------------|----------------|
| LW | 1 | LED | 4' |

48" dimension line shown below the table.



Type:

- Extruded powder coated aluminum LED track fixture incorporating a LED. Integral electronic driver provides efficient and quiet power.
- 5/8" louver provides optimum performance and cut off for increased aesthetics and light control.

Features:

- Heavy duty extruded aluminum body
- Low profile, aesthetic design
- Integral 5/8" Louver
- High-strength stainless steel electrical contacts

Finish:

- Powder coated finish

Reflector:

- 0.020 aluminum polished to mirror quality clear specularly.

Driver:

- 120V/277V 50/60 Hz input
- Class 2 power supply
- Over voltage, over current and short protection: Auto recovery
- MTBF > 100,000
- This product complies with IEEE C62.41 for surge endurance up to 2.5KV. Additional surge protection recommended.