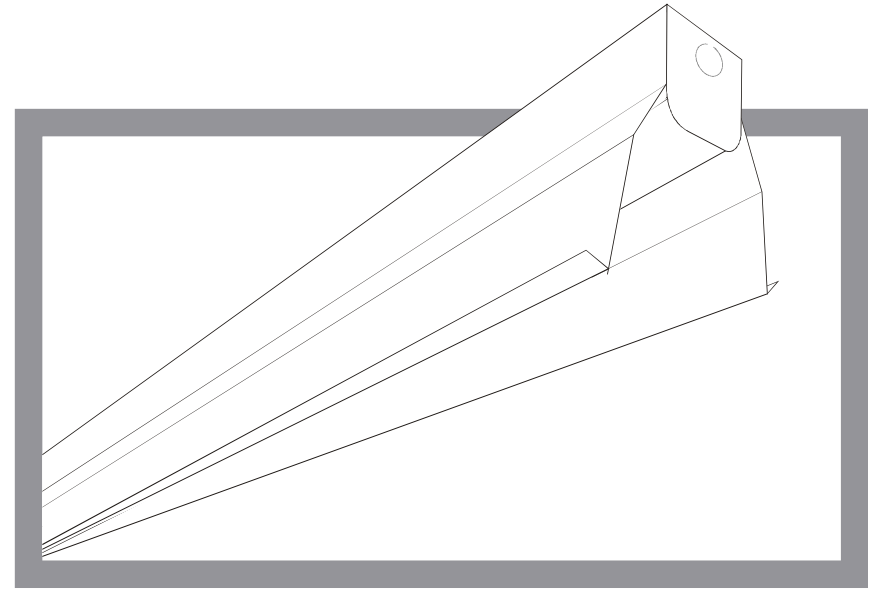
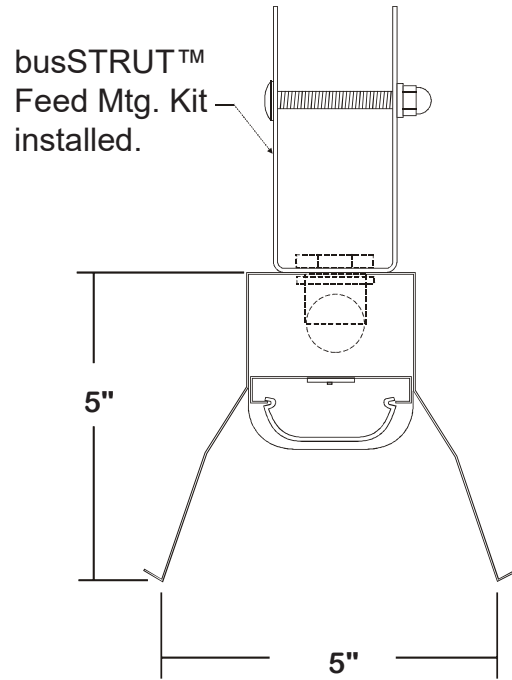
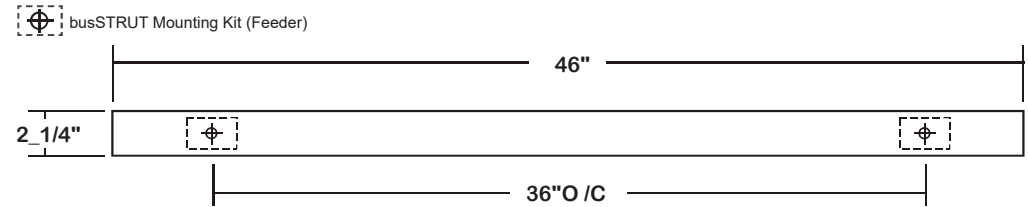


4' LED GENERAL LIGHT	busSTRUT	Ckt Amps	Voltage	Type	Lamp	Boards	CRI	Lumen Package	Delivered Lumens	Watts	lm/w	Kelvin	(F) Finish	Catalog Number
		BR	20	100-277 VAC	General	LED	2	80	9000	6703	56*	118	4000	B- Black

*power factor: 0.95



BACK PLATE



Description:

- 4' LED General Light
- Input Voltage: 100-277 VAC
- CRI/CCT: 840- 80 + CRI, 4000K
- Optical: Frosted acrylic lens.