



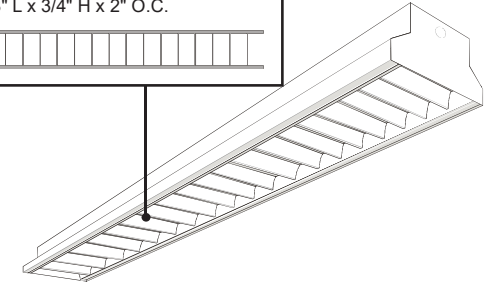
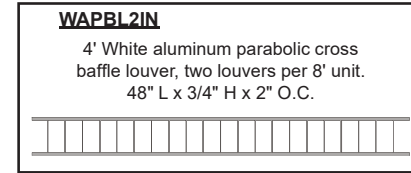
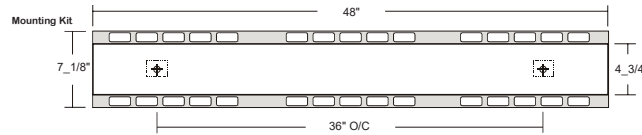
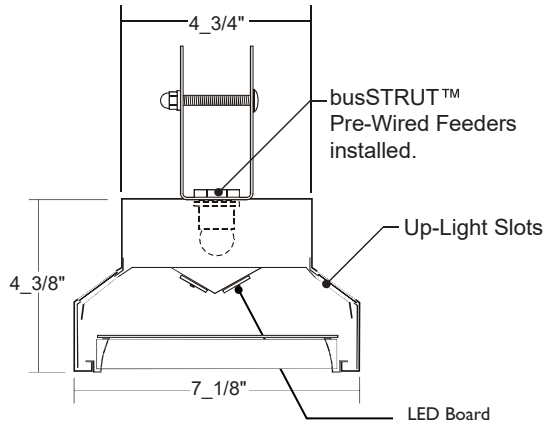
busSTRUT : GALVANIZED  
fixture : grey

**BW DOWNLIGHT**  
'UNIBODY' STEEL with Parabolic Louver

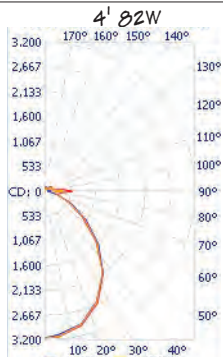
LED DOWNLIGHT  
**BATWING DISTRIBUTION**

TYPE	Fixture					Boards				CRI	Kelvin (K)	Finishes (F)	Louver Color (LC)	Mnt Kit Color (MK)	Fitter Options (FT)	Diffuser (D)	Option Codes	Catalog Number	
	busSTRUT	Type	Length	Lumens	Watts	lm/w	Type	No.	Lumens										Watts
<b>LED BWseries</b> WIDE-SPREAD DOWNLIGHT Lens & Louver	BR	LED	4'	7800	82.4	94.7	LED	4	10K	82.4	80	L1 = 2700 K L2 = 3000 K L3 = 3500 K L4 = 4000 K	WT = White BL = Black GR = Grey	WT = White BL = Black GV = Galv	WT = White BL = Black GV = Galv	2P = 2 Pole 3P = 3 Pole	LL = Lens/Louver	U = Uplight Slots	BR-LED4-10K-BW-L2-WT-GV-2P-LL-U-2
			8'	15600	164.8	94.6		8	20K	164.8									BR-LED8-20K-BW-L2-WT-GV-2P-LL-U

### HIGH OUTPUT LED



### CANDLEPOWER:



Zone	Lumens	%
0-10	3001	3.8
10-20	8433	10.8
20-30	12149	15.6
30-40	13482	17.3
40-50	12173	15.6
50-60	9103	11.7
60-70	5663	7.3
70-80	2777	3.6
80-90	2625	3.4
<b>Total</b>	<b>6940.6</b>	<b>100%</b>

### COEFFICIENTS of UTILIZATION - Zonal Cavity Method

RF	Effective Floor Cavity Reflectance 0.20										
	80				70				50		
RW	70	50	30	0	70	50	30	0	50	30	20
0	1.02	1.02	1.02	1.02	1.00	1.00	1.00	.86	.95	.95	.95
1	.95	.91	.88	.85	.93	.89	.87	.75	.86	.84	.81
2	.87	.81	.75	.71	.85	.79	.74	.65	.76	.72	.69
3	.80	.71	.65	.60	.78	.70	.64	.56	.68	.63	.58
4	.73	.64	.56	.51	.71	.62	.56	.48	.60	.55	.50
5	.67	.57	.50	.44	.66	.56	.49	.42	.54	.48	.43
6	.62	.51	.44	.39	.61	.50	.43	.37	.49	.43	.38
7	.58	.46	.39	.34	.56	.46	.39	.33	.44	.38	.34
8	.54	.42	.35	.30	.52	.42	.35	.30	.41	.34	.30
9	.50	.39	.32	.27	.49	.38	.32	.27	.37	.31	.27
10	.47	.36	.29	.25	.46	.35	.29	.24	.34	.28	.24

#### Type:

- 4 board 4', or 8 board 8', LED downlight with white aluminum reflector, white aluminum parabolic cross baffle louver with 0.080 flat frosted acrylic lens overlay, and 2" o.c. louver spacing.

#### Construction:

-20ga. cold rolled steel welded housing

#### Finish:

-Baked Powder coated finish, paint after fabrication.

#### Colors:

-Three standard colors  
 WT - Sky white (DuPont® PFW665S9)  
 BL - Matte black (DuPont® UFB634S2)  
 GR - Camaro silver (DuPont® UFA402M9)

#### Reflector:

-Enhanced white aluminum reflector(s)  
 -90% reflectance

#### Louver:

-4' white aluminum parabolic cross baffle louver with 0.080 flat frosted acrylic lens overlay, and 2" o.c. louver spacing.  
 -Two louvers per 8' unit

#### Driver:

-High Efficiency Drivers coupled with long-life LEDs

#### Lamp:

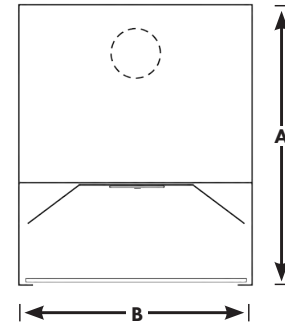
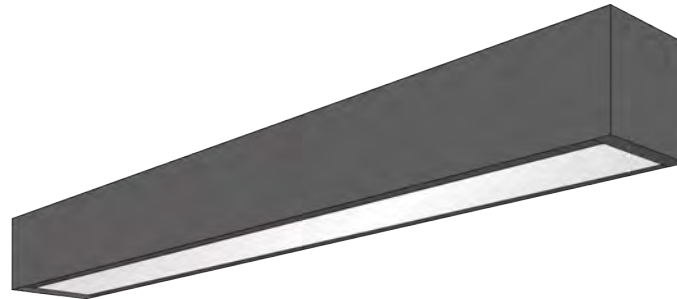
-560MM 48 LED linear module

#### Options:

BPL - Emergency Battery Pack, operates 10Watt LED load @ 18-48VDC for 90 minutes

## FEATURES

- High efficiency driver coupled with long-life LEDs, service life greater than 50,000 hours (L70)
- In-directly suspended from cable/powered from busSTRUT whip cord

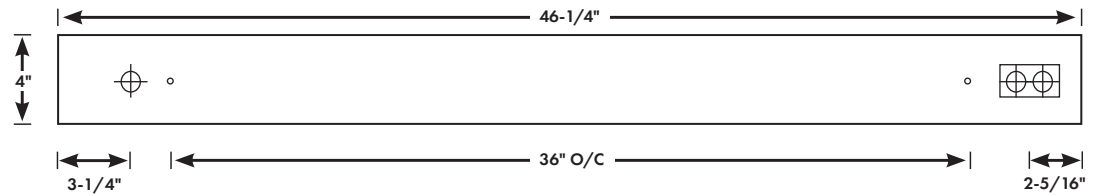


A	4"
B	4"

## BACK PLATE

⊕ 0.875" Dia. K.O. for busSTRUT™ 30" Whip

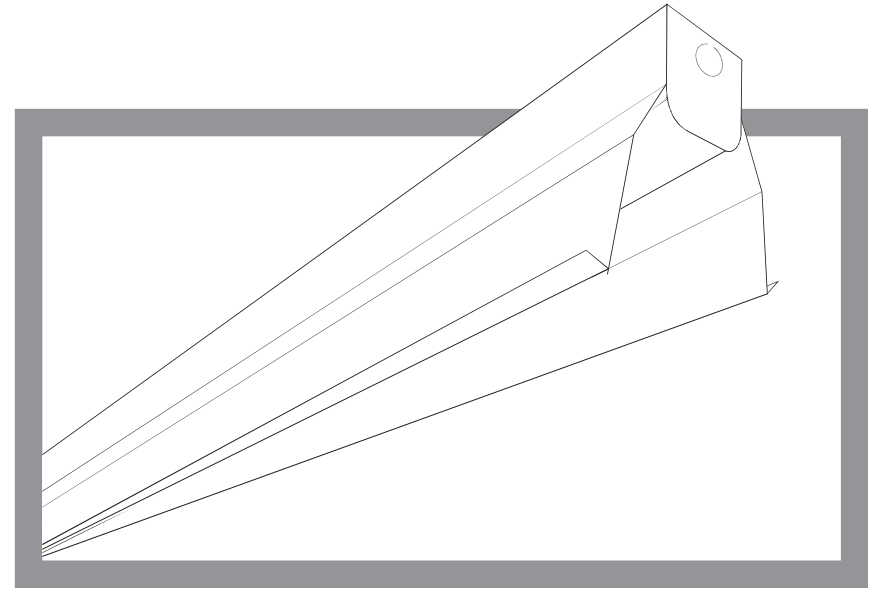
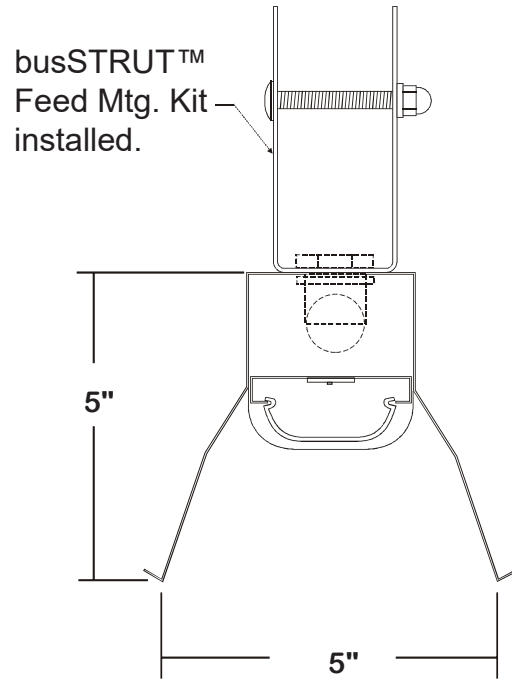
○ 1/4 Dia. Hole for mounting



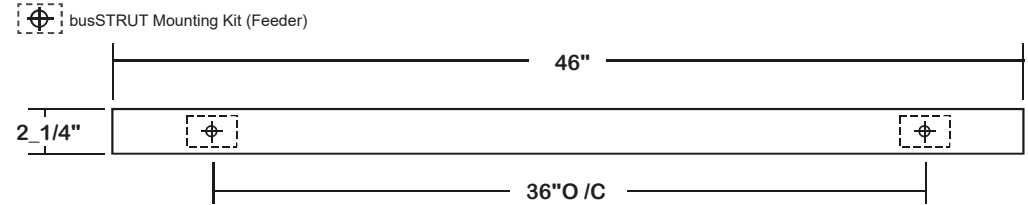
busSTRUT	TYPE	SIZE/LENGTH	LUMENS	CCT/CRI	DELIVERED LUMENS	SYSTEM WATTS	LUMINAIRE EFFICACY	FINISH	CATALOG NUMBER
BR	STANDARD	4'	3,000	3,000/80+	2,000	20.4	98 LPW	Black (B)	BRL-4-20L-30K80-NT-24WP-B
	HIGH OUTPUT		6,000		4,000	40.8	99.6 LPW		BRL-4-40L-30K80-NT-24WP-B

	busSTRUT	Ckt Amps	Voltage	Type	Lamp	Boards	CRI	Lumen Package	Delivered Lumens	Watts	lm/w	Kelvin	(F) Finish	Catalog Number
<b>4' LED GENERAL LIGHT</b>	BR	20	100-277 VAC	General	LED	2	80	9000	6703	56*	118	4000	B- Black	<b>BR-LED-4L-9-840-B</b>

\*power factor: 0.95



### BACK PLATE



### Description:

- 4' LED General Light
- Input Voltage: 100-277 VAC
- CRI/CCT: 840- 80 + CRI, 4000K
- Optical: Frosted acrylic lens.

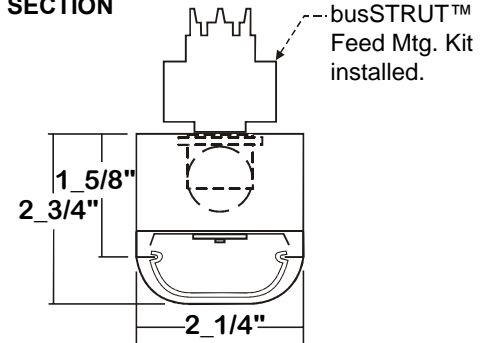
## CUSTOMER SUBMITTAL SHEET

<b>ITEM #</b> <b>LCD1500</b>	<b>DESCRIPTION</b> LED Channel with Rounded Lens	<b>DATE</b>
------------------------------	--	-------------

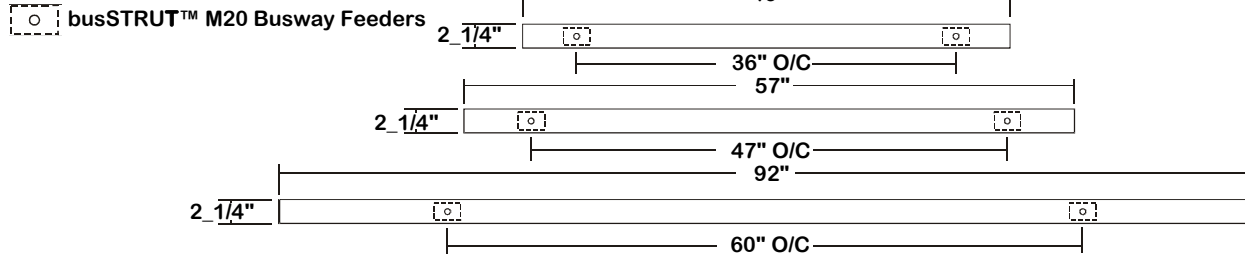
<b>JOB NAME</b>	<b>DESIGNED FOR</b> *	<b>APPROVED BY</b>
-----------------	--------------------------	--------------------



### CROSS SECTION



### BACKPLATE



1. TYPE : LED strip with diffuser.
2. CONSTRUCTION : 22 Ga. cold rolled steel welded housing.
3. FINISH : Baked powder coated finish, painted after fabrication.  
W - Sky white (DuPont® PFW665S9)  
G - Camaro silver (DuPont® UFA402M9)  
B - Matte black (DuPont® UFB634S2)
4. OPTICAL : **FRWA** - Frosted white acrylic lens.
5. LUMEN PACKAGE : **2K** - Nominal 2000 lumens LED system.  
**3K** - Nominal 3000 lumens LED system.  
**4K** - Nominal 4000 lumens LED system.  
**6K** - Nominal 6000 lumens LED system.
6. VOLTAGE : **UNV** - Universal voltage 120v thru 277v.
7. CRI/CCT : **835** - 80+ CRI, 3500k color temperature.  
**930** - 90+ CRI, 3000k color temperature.
8. LED SYSTEM : High efficiency driver coupled with long-life LEDs, service life greater than 50,000 hours (L70).

Fixture Length	Lumen Package	CRI / CCT	Delivered Lumens	System Watts	Luminaire Efficacy
4'	2K	835	1760.8 LM	15.76 W	111.69 LPW
4'	3K	835	2581.7 LM	24.35 W	106.01 LPW
5'	2K	930	1712.3 LM	18.59 W	92.12 LPW
8'	4K	835	3239.6 LM	28.71 W	112.86 LPW
8'	6K	835	4895.3 LM	45.76 W	106.97 LPW

Note: System data above are based on 120V input voltage.

9. WIRING : One set of busSTRUT™ M20 busway feeders installed  
(LT20-2-20-UNIV-TK-H & LT20-2-20-UNIV-TKN-H)

### 10. CATALOG NUMBER :

- LCD1500-2-4L-(COLOR)-FRWA-1DRDM-UNV-1/835**
- LCD1500-3-4L-(COLOR)-FRWA-1DRDM-UNV-1/835
- LCD1500-2-5L-(COLOR)-FRWA-1DRDM-UNV-1/930
- LCD1500-4-8L-(COLOR)-FRWA-1DRDM-UNV-1/835
- LCD1500-6-8L-(COLOR)-FRWA-1DRDM-UNV-1/835

# busSTRUT READY

## busSTRUT specification sheet

### Linear Light w/ Squared Lens

busSTRUT	Ckt Amps	Voltage	Type	Length	CRI	Lumen Package	Delivered Lumens	Watts	lm/w	Kelvin	(F) Finish	(DC) Option Codes	Catalog Number
BR	20	100-277 VAC	LED	4'	80	9000	6707	50.8	132	3000K	W=White	EM=Battery Pack WLC=Wireless Lighting Controls	<b>BRDL-4-49-30K80-W-(DC)</b>

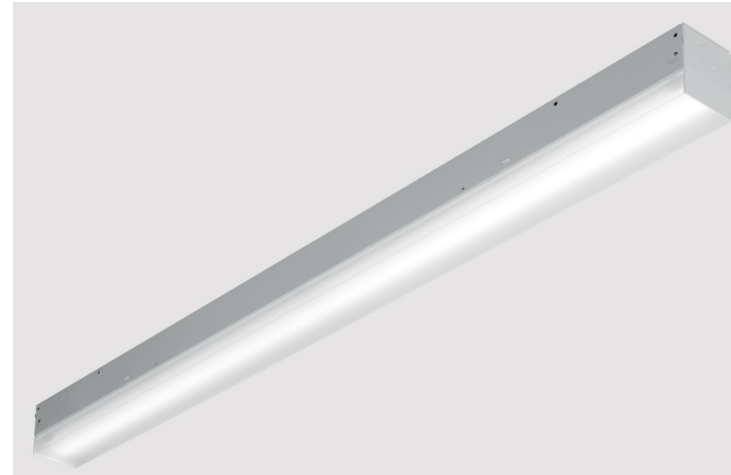
1. TYPE : 4' LED General light.
2. CONSTRUCTION : 22 Ga. cold rolled steel welded housing.
3. FINISH : Baked powder coated finish, paint after fabrication.  
**W - White**
4. OPTICAL : Milky Lens.
5. LUMEN PACKAGE : 9 - Nominal 9000 lumens LED system.
6. VOLTAGE : UNV - Universal voltage 120v thru 277v.
7. CRI/CCT : 835 - 80+ CRI, 3500K color temperature.
8. LED SYSTEM : High efficiency driver coupled with long-life LEDs

Lumen Package	Lens	CRI / CCT	Delivered Lumens	System Watts	Luminaire Efficacy
9000	FRA	830	6707 LM	50.8W	132 LPW

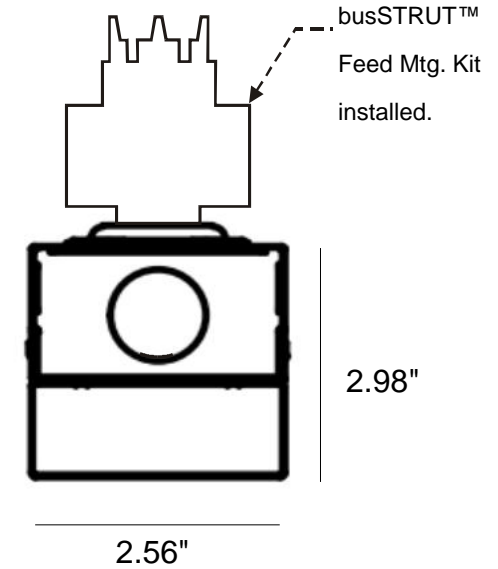
Note: System data above are based on 120V input voltage.

9. FEEDERS : Factory installed busSTRUT™ one or two circuit pre-wired fitters.  
Mounting kit #LF20-2-20-UNIV-WD-W / #LF20-3-20-UNIV-WD-W

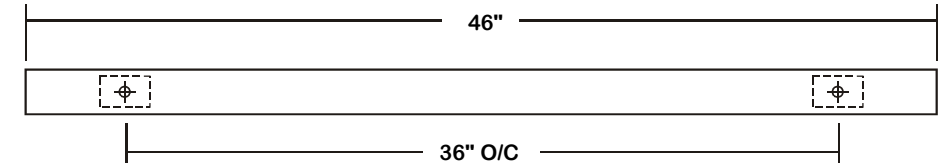
10. LABEL : ETL listed.
11. Options : EM - Battery Pack and/or  
**WLC - Wireless Lighting Control**



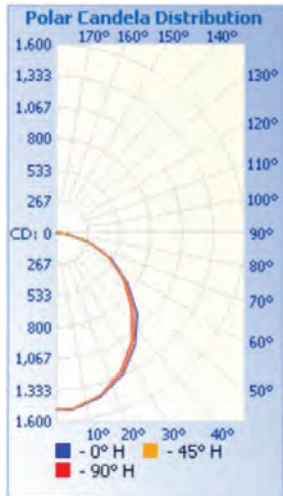
### CROSS SECTION



### BACK PLATE busSTRUT™ Mounting Kit



Linear Cable-Suspended Fixture	busSTRUT	Ckt Amps	Voltage	Type	Length	CRI	Lumen Package	Delivered Lumens	Watts	lm/w	Kelvin	(F) Finish	(O) Options	Catalog Number
	BR	20	100-277 VAC	LED	4'	83	7000	4115.4	39.3	104.7	3000K	B=Black W=White	BPLSLIQ= Battery Pack MS = Motion Sensor	BRDLL-4-4IL-30K80-B24WP2-B-L



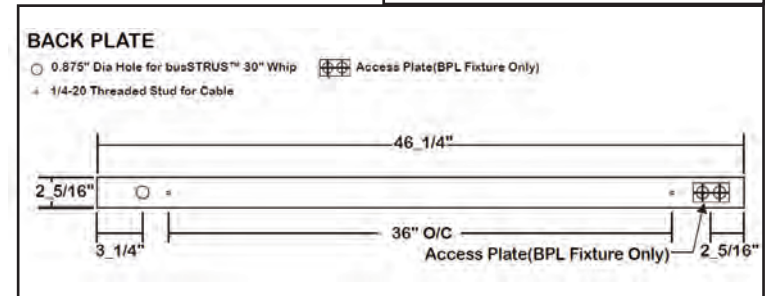
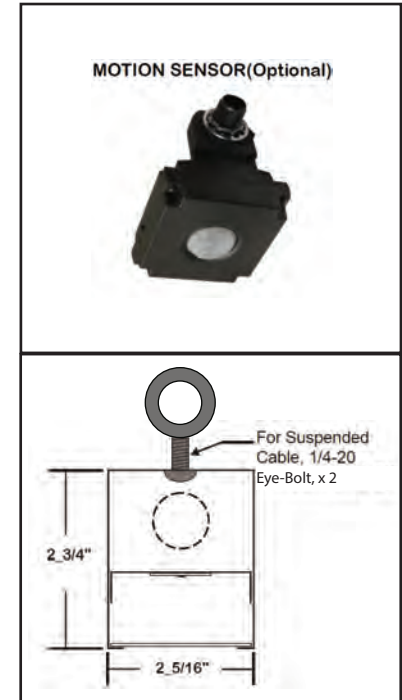
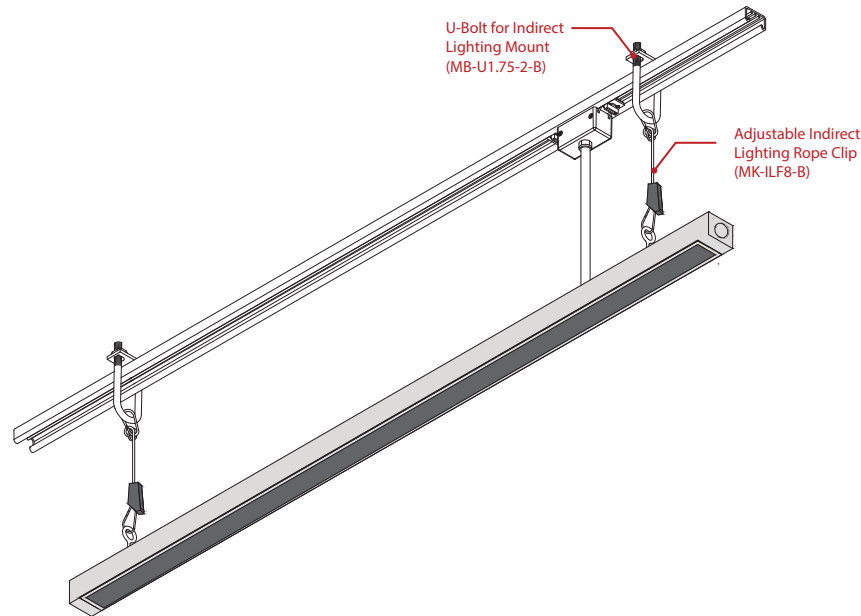
Zone	Lumens	% Total	Zone	Lumens	% Total
0-10	143.6	3.5%	90-100	2.3	0.1%
10-20	407.2	9.9%	100-110	0	0%
20-30	609.6	14.8%	110-120	0	0%
30-40	719.0	17.5%	120-130	0	0%
40-50	725.2	17.6%	130-140	0	0%
50-60	644.3	15.7%	140-150	0	0%
60-70	495.0	12.0%	150-160	0	0%
70-80	292.3	7.1%	160-170	0	0%
80-90	76.9	1.9%	170-180	0	0%

Zone	Lumens	% Lamp	% Luminaire
0-30	1,160.4	19.6%	28.2%
0-40	1,879.4	31.8%	45.7%
0-60	3,248.9	54.9%	78.9%
60-90	864.2	14.6%	21%
70-100	371.5	6.3%	9%
90-120	2.3	0%	0.1%
0-90	4,113.0	69.5%	99.9%
90-180	2.3	0%	0.1%
0-180	4,115.4	69.5%	100%

**Coefficients Of Utilization - Zonal Cavity Method**

Effective Floor Cavity Reflectance: 20%

RCC %:	80		70		50		30		10		0							
RW %:	70	50	30	0	70	50	30	0	50	30	20	50	30	20	50	30	20	0
RCR: 0	.83	.83	.83	.83	.81	.81	.81	.70	.77	.77	.77	.74	.74	.74	.71	.71	.71	.70
1	.76	.72	.69	.67	.74	.71	.68	.59	.68	.65	.63	.65	.63	.61	.62	.61	.60	.58
2	.69	.63	.58	.54	.67	.62	.57	.49	.59	.56	.52	.57	.54	.51	.55	.52	.50	.48
3	.63	.55	.50	.45	.61	.54	.49	.42	.52	.48	.44	.50	.46	.43	.48	.45	.42	.41
4	.57	.49	.43	.38	.56	.48	.42	.36	.46	.41	.38	.45	.40	.37	.43	.40	.36	.35
5	.53	.44	.38	.33	.51	.43	.37	.32	.42	.36	.32	.40	.36	.32	.39	.35	.32	.30
6	.49	.40	.33	.29	.47	.39	.33	.28	.38	.32	.28	.36	.32	.28	.35	.31	.28	.27
7	.45	.36	.30	.26	.44	.35	.30	.25	.34	.29	.25	.33	.29	.25	.32	.28	.25	.23
8	.42	.33	.27	.23	.41	.32	.27	.22	.31	.26	.23	.31	.26	.22	.30	.25	.22	.21
9	.39	.30	.24	.21	.38	.30	.24	.20	.29	.24	.20	.28	.24	.20	.27	.23	.20	.19
10	.37	.28	.22	.19	.36	.27	.22	.18	.27	.22	.19	.26	.22	.18	.25	.21	.18	.17



\*Indirect linear fixtures connect to the busSTRUT via "Adjustable Indirect Lighting Rope Clip", which is then attached to the U-Bolt (MB-U1.75-2-B). This is attached to the eye-bolt on the fixture.

### Description:

- 22 Ga. cold rolled steel housing. End plates are fastened to housing by sheet metal screws to assure rigidity.
- Baked powder coated finish, paint after fabrication.
- High efficiency driver coupled with long-life LEDs, service life greater than 50,000 hours (L70).
- OPTION:** BPLSLIQ: 10W Emergency Battery Pack, operates for a minimum of 90 minutes, nominal 1500 lumens. Test button at side of fixture housing.
- MS: Turns light ON/OFF based on motion detection, 5 minute time delay default setting.