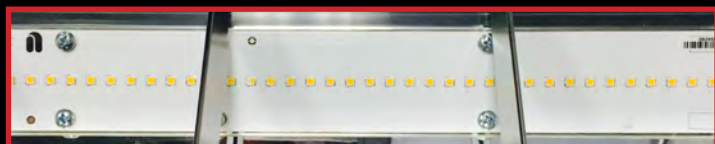




bvsSTRUT : GALVANIZED  
fixture : silver

**LW LED WALLWASH**  
'UNIBODY' with Louver Blades

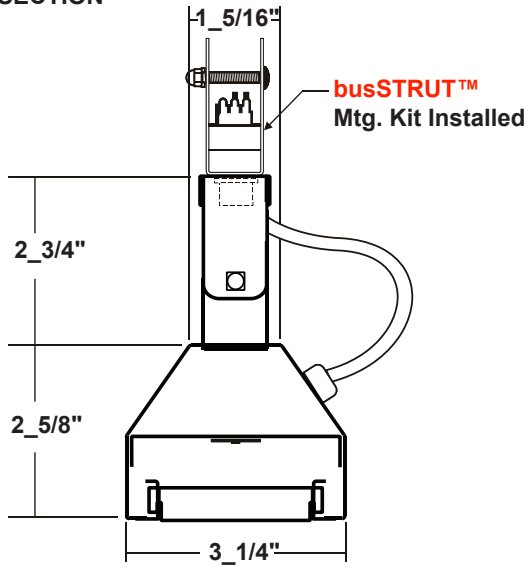
LED WALLWASH



INTEGRAL LED BOARD USED IN PLACE OF FLUORESCENT LAMP

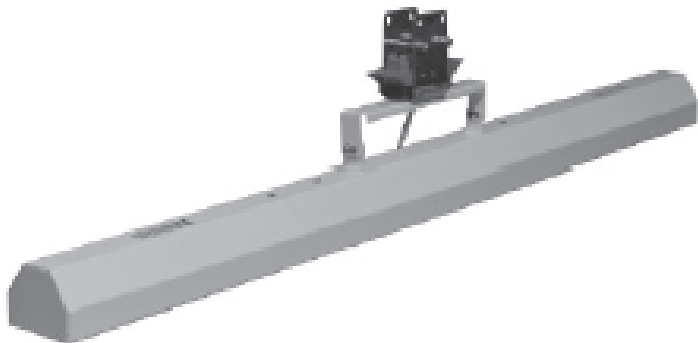
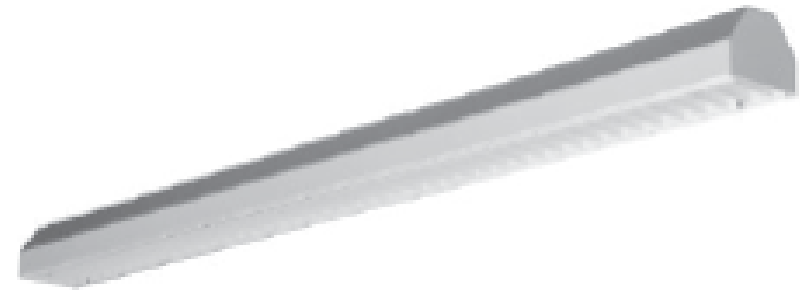
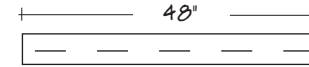
TYPE	Fixture			LED SYSTEM				Ballasts		Louver Color	Mnt Kit Color	Option Codes	Finishes	Catalog Number	
	busSTRUT	Type	Length	Delivered Lumens	Type	No.	Lumens	Watts	No.	Voltage	(LC)	(MK)	(OC)	(F)	
<b>LED LWseries</b> LOUVER WALLWASH Adjustable	BR	LED	4'	4533	LED	2	6000	52	1	Universal 120/277	WH = White	WH = White	L3 = 3000K or L4 = 4000K	WH = White	BR-LED4-4K-U-WH-WH-L3-WH or BR-LED4-4K-U-WH-WH-L4-WH

**CROSS SECTION**



Series Number  
**LW**

Qty	Lamps		Nominal Length
	Type		
1	LED	4'	



**Type:**

- Extruded powder coated aluminum LED track fixture incorporating a LED. Integral electronic driver provides efficient and quiet power.
- 5/8" louver provides optimum performance and cut off for increased aesthetics and light control.

**Features:**

- Heavy duty extruded aluminum body
- Low profile, aesthetic design
- Integral 5/8" Louver
- High-strength stainless steel electrical contacts

**Finish:**

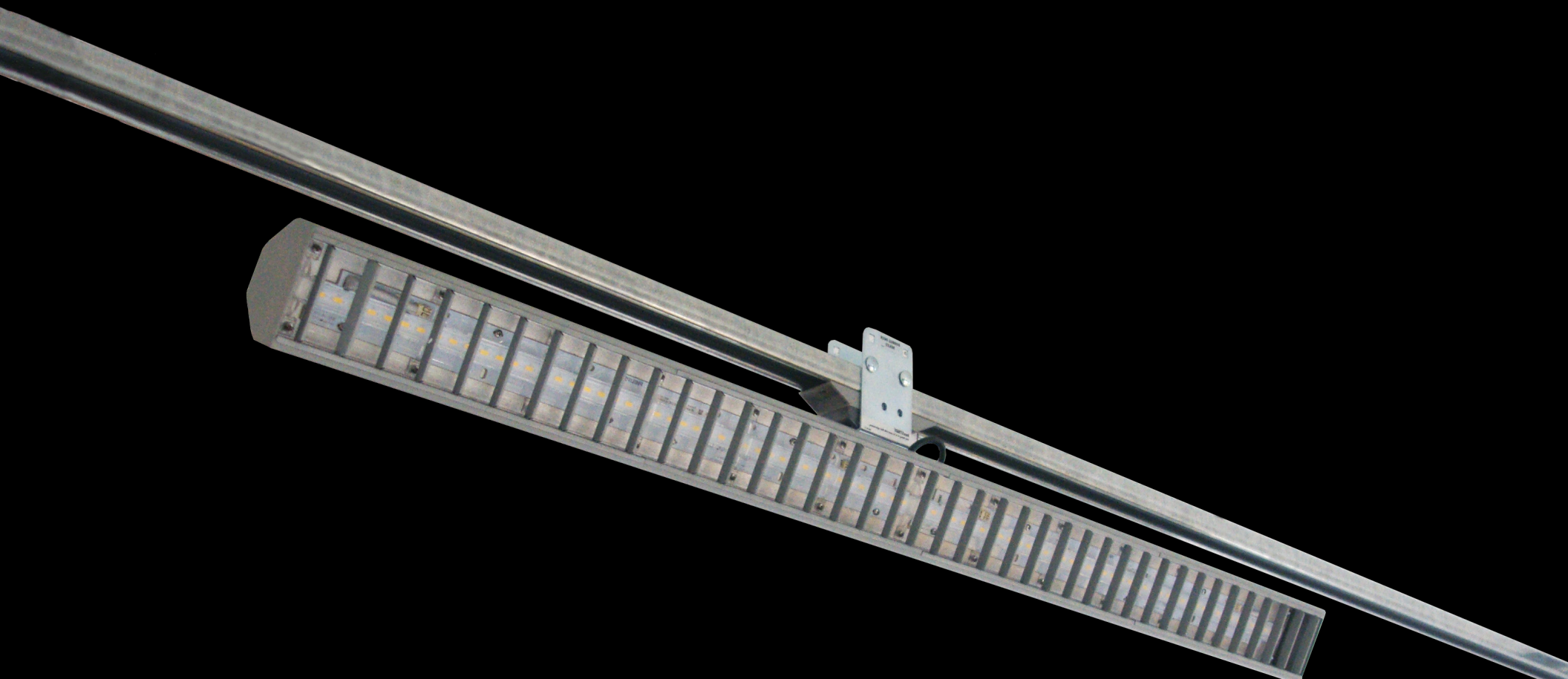
- Powder coated finish

**Reflector:**

- 0.020 aluminum polished to mirror quality clear specularity.

**Driver:**

- 120V/277V 50/60 Hz input
- Class 2 power supply
- Over voltage, over current and short protection: Auto recovery
- MTBF > 100,000
- This product complies with IEEE C62.41 for surge endurance up to 2.5KV. Additional surge protection recommended.

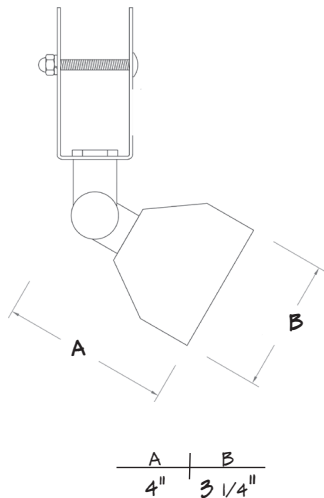


bvsSTRUT : GALVANIZED  
fixture : silver

**LW LED WALLWASH**  
'UNIBODY' with Louver Blades  
LI Lumen Package

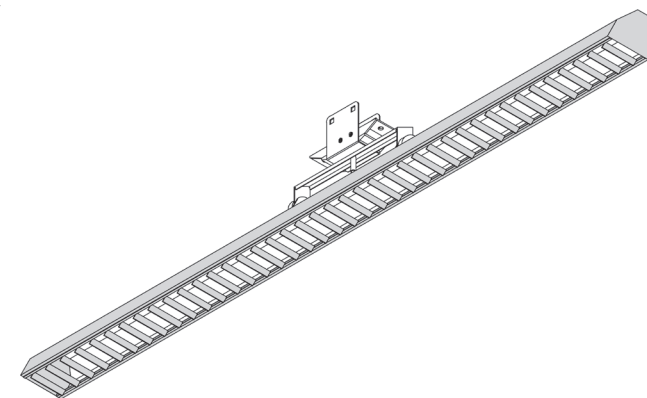
LED WALLWASH

TYPE	Fixture				LED Board				Ballasts		Louver Color	Mnt Kit Color	Option Codes	Finishes	Catalog Number
	busSTRUT	Type	Length	Delivered Lumens	Type	No.	Lumens	Watts	No.	Voltage	(LC)	(MK)	(OC)	(F)	
<b>LED LWseries</b> LOUVER WALLWASH Adjustable	BR	LED	4'	2460	LED	1	2460	21	1	Universal 120/277	WT= White BL=Black GR=Grey	WT= White BL=Black GV=Galv	LI = 4000K/80CRI	WT = White BL = Black SV = Silver	<b>BR-LED-2K-U-GR-GV-LI-(F)</b>

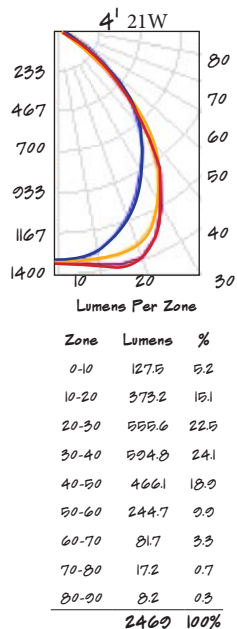


Series Number	Lamps Qty	Lamps Type	Nominal Length
LW	1	LED	4'

48"



## CANDLEPOWER:



### Type:

- Extruded power coated aluminum LED fixture incorporating an LED. Integral electronic driver provides efficient and quiet power.

-5/8" louver provides optimum performance and cut off of increased aesthetics and light control.

### Features:

- Heavy duty extruded aluminum body with end caps
- Low profile, aesthetic design
- Integral 5/8" Louver
- High-strength stainless steel electric contacts

### Finish:

-Powder coated finish

### Colors:

- Three standard colors
  - WT - Sky white (DuPont® PFW665S9)
  - BL - Matte black (DuPont® UFB634S2)
  - SV - Camaro silver (DuPont® UFA402M9)

### Reflector:

-0.020 aluminum polished to mirror quality clear specularly.

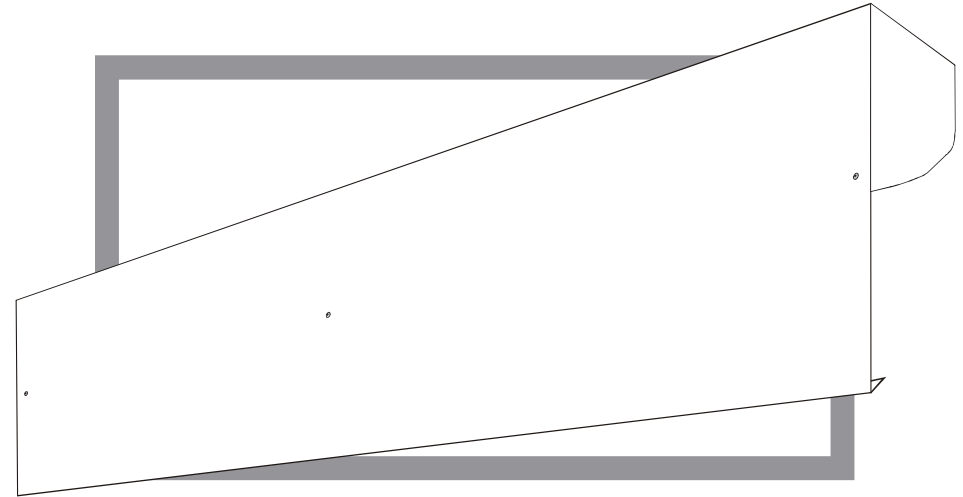
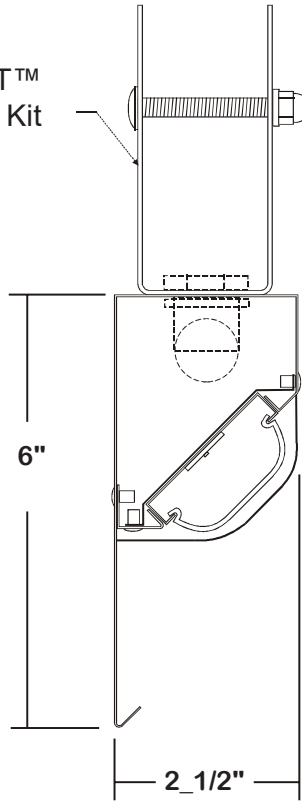
### Driver:

- 120V/277V 50/60 Hz input
- Class 2 power supply
- Over voltage, over current and short protection:Auto recovery
- MTBF > 100,000
- This product complies with IEEE C62.41 for surge endurance up to 2.5KV. Additional surge protection recommended.

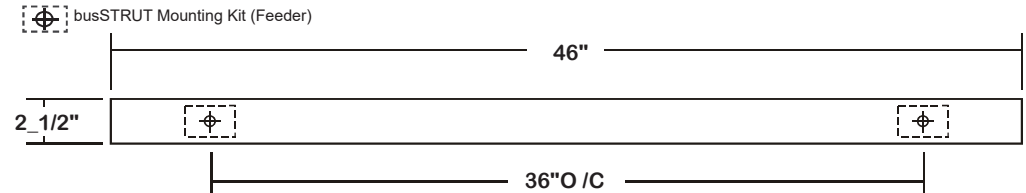
	busSTRUT	Ckt Amps	Voltage	Type	Lamp	Boards	CRI	Lumen Package	Delivered Lumens	Watts	lm/w	Kelvin	(F) Finish	Catalog Number
<b>4' LED Wall Wash</b>	BR	20	100-277 VAC	General	LED	2	80	6000	4682	51*	90	4000	B- Black	<b>BR-LED-4WW-6-840-B</b>

\*power factor: 0.95

busSTRUT™  
Feed Mtg. Kit  
installed.



### BACK PLATE



### Description:

- 4' LED Wall Wash
- Input Voltage: 100-277 VAC
- CRI/CCT: 840- 80 + CRI, 4000K
- Optical: Frosted acrylic lens.