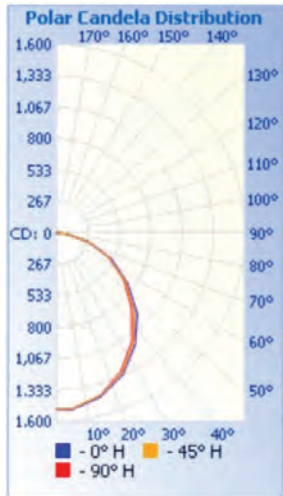


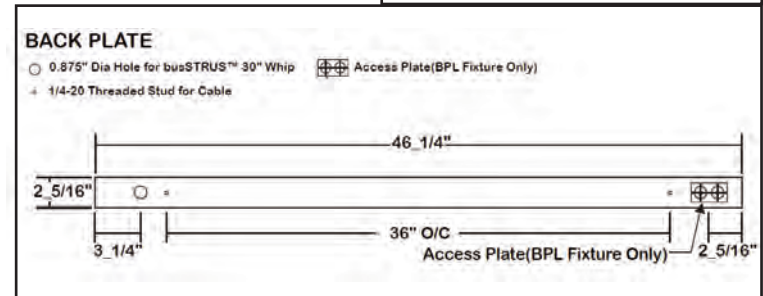
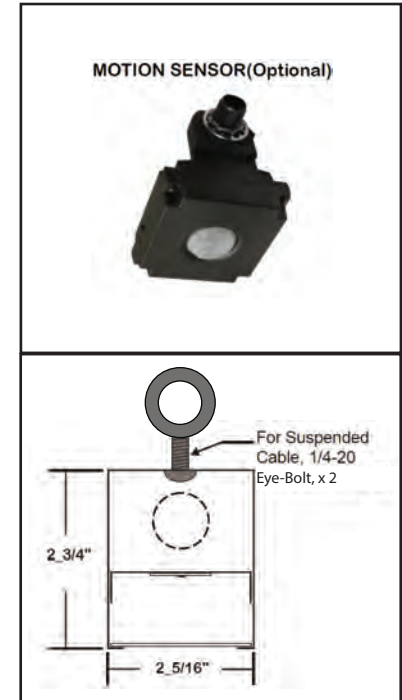
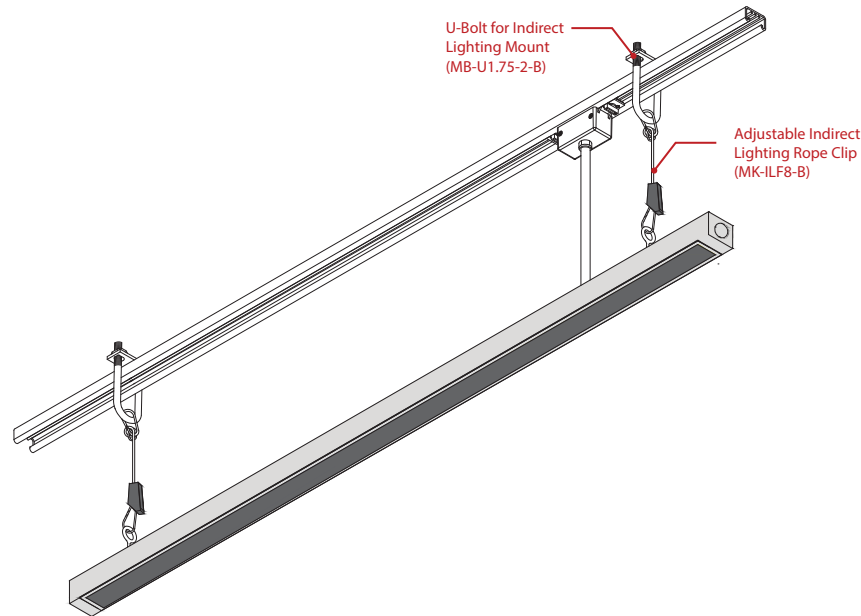
Linear Cable-Suspended Fixture	busSTRUT	Ckt Amps	Voltage	Type	Length	CRI	Lumen Package	Delivered Lumens	Watts	lm/w	Kelvin	(F) Finish	(O) Options	Catalog Number
	BR	20	100-277 VAC	LED	4'	83	7000	4115.4	39.3	104.7	3000K	B=Black W=White	BPLSLIQ= Battery Pack MS = Motion Sensor	BRDLL-4-4IL-30K80-B24WP2-B-L



Lumens Per Zone					
Zone	Lumens	% Total	Zone	Lumens	% Total
0-10	143.6	3.5%	90-100	2.3	0.1%
10-20	407.2	9.9%	100-110	0	0%
20-30	609.6	14.8%	110-120	0	0%
30-40	719.0	17.5%	120-130	0	0%
40-50	725.2	17.6%	130-140	0	0%
50-60	644.3	15.7%	140-150	0	0%
60-70	495.0	12.0%	150-160	0	0%
70-80	292.3	7.1%	160-170	0	0%
80-90	76.9	1.9%	170-180	0	0%

Zonal Lumen Summary				
Zone	Lumens	% Lamp	% Luminaire	
0-30	1,160.4	19.6%	28.2%	
0-40	1,879.4	31.8%	45.7%	
0-60	3,248.9	54.9%	78.9%	
60-90	864.2	14.6%	21%	
70-100	371.5	6.3%	9%	
90-120	2.3	0%	0.1%	
0-90	4,113.0	69.5%	99.9%	
90-180	2.3	0%	0.1%	
0-180	4,115.4	69.5%	100%	

Coefficients Of Utilization - Zonal Cavity Method																
Effective Floor Cavity Reflectance: 20%																
RCC %:	80				70				50				0			
RW %:	70	50	30	0	70	50	30	0	50	30	20	0	50	30	20	0
RCR: 0	.83	.83	.83	.83	.81	.81	.81	.70	.77	.77	.77	.74	.74	.74	.74	.71
1	.76	.72	.69	.67	.74	.71	.68	.59	.68	.65	.63	.65	.63	.61	.62	.58
2	.69	.63	.58	.54	.67	.62	.57	.49	.59	.56	.52	.57	.54	.51	.55	.48
3	.63	.55	.50	.45	.61	.54	.49	.42	.52	.48	.44	.50	.46	.43	.48	.41
4	.57	.49	.43	.38	.56	.48	.42	.36	.46	.41	.38	.45	.40	.37	.43	.35
5	.53	.44	.38	.33	.51	.43	.37	.32	.42	.36	.32	.40	.36	.32	.39	.30
6	.49	.40	.33	.29	.47	.39	.33	.28	.38	.32	.28	.36	.32	.28	.35	.27
7	.45	.36	.30	.26	.44	.35	.30	.25	.34	.29	.25	.33	.29	.25	.32	.23
8	.42	.33	.27	.23	.41	.32	.27	.22	.31	.26	.23	.31	.26	.22	.30	.21
9	.39	.30	.24	.21	.38	.30	.24	.20	.29	.24	.20	.28	.24	.20	.27	.19
10	.37	.28	.22	.19	.36	.27	.22	.18	.27	.22	.19	.26	.22	.18	.25	.17



*Indirect linear fixtures connect to the busSTRUT via "Adjustable Indirect Lighting Rope Clip", which is then attached to the U-Bolt (MB-U1.75-2-B). This is attached to the eye-bolt on the fixture.

Description:

- 22 Ga. cold rolled steel housing. End plates are fastened to housing by sheet metal screws to assure rigidity.
- Baked powder coated finish, paint after fabrication.
- High efficiency driver coupled with long-life LEDs, service life greater than 50,000 hours (L70).
- OPTION:** BPLSLIQ: 10W Emergency Battery Pack, operates for a minimum of 90 minutes, nominal 1500 lumens. Test button at side of fixture housing.
- MS: Turns light ON/OFF based on motion detection, 5 minute time delay default setting.