



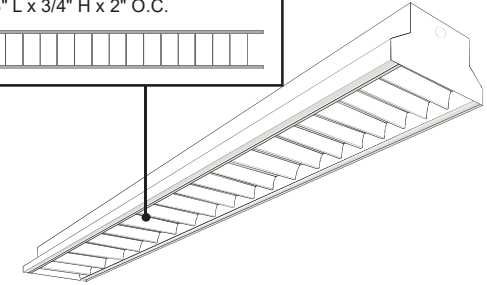
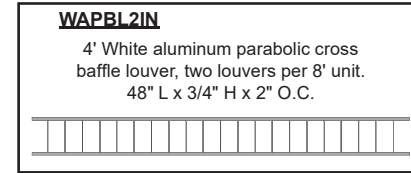
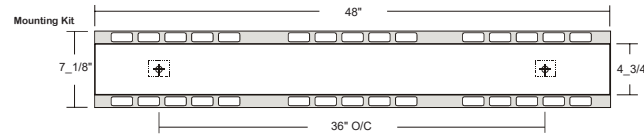
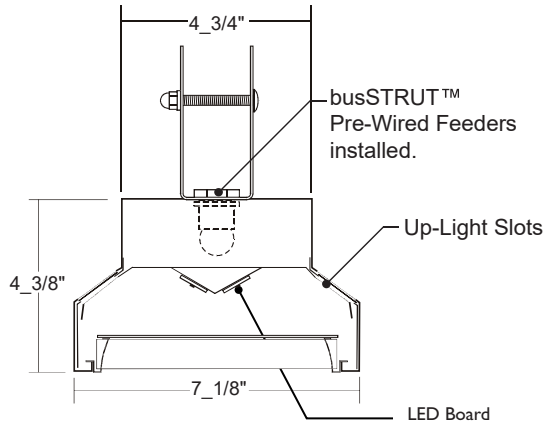
busSTRUT : GALVANIZED
fixture : grey

BW DOWNLIGHT
'UNIBODY' STEEL with Parabolic Louver

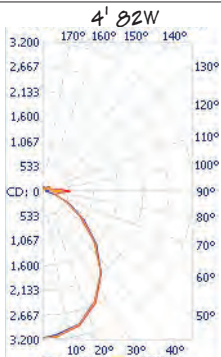
LED DOWNLIGHT
BATWING DISTRIBUTION

TYPE	Fixture					Boards				CRI	Kelvin (K)	Finishes (F)	Louver Color (LC)	Mnt Kit Color (MK)	Fitter Options (FT)	Diffuser (D)	Option Codes:	Catalog Number	
	busSTRUT	Type	Length	Lumens	Watts	lm/w	Type	No.	Lumens										Watts
LED BWseries WIDE-SPREAD DOWNLIGHT Lens & Louver	BR	LED	4'	7800	82.4	94.7	LED	4	10K	82.4	80	L1 = 2700 K L2 = 3000 K L3 = 3500 K L4 = 4000 K	WT = White BL = Black GR = Grey	WT = White BL = Black GV = Galv	WT = White BL = Black GV = Galv	2P = 2 Pole 3P = 3 Pole	LL = Lens/Louver	U = Uplight Slots	BR-LED4-10K-BW-L2-WT-GV-2P-LL-U-2
			8'	15600	164.8	94.6		8	20K	164.8									BR-LED8-20K-BW-L2-WT-GV-2P-LL-U

HIGH OUTPUT LED



CANDLEPOWER:



Zone	Lumens	%
0-10	3001	3.8
10-20	8433	10.8
20-30	12149	15.6
30-40	13482	17.3
40-50	12173	15.6
50-60	9103	11.7
60-70	5663	7.3
70-80	2777	3.6
80-90	2625	3.4
Total	6940.6	100%

COEFFICIENTS of UTILIZATION - Zonal Cavity Method

RF	Effective Floor Cavity Reflectance 0.20										
	80				70				50		
RW	70	50	30	0	70	50	30	0	50	30	20
0	1.02	1.02	1.02	1.02	1.00	1.00	1.00	.86	.95	.95	.95
1	.95	.91	.88	.85	.93	.89	.87	.75	.86	.84	.81
2	.87	.81	.75	.71	.85	.79	.74	.65	.76	.72	.69
3	.80	.71	.65	.60	.78	.70	.64	.56	.68	.63	.58
4	.73	.64	.56	.51	.71	.62	.56	.48	.60	.55	.50
5	.67	.57	.50	.44	.66	.56	.49	.42	.54	.48	.43
6	.62	.51	.44	.39	.61	.50	.43	.37	.49	.43	.38
7	.58	.46	.39	.34	.56	.46	.39	.33	.44	.38	.34
8	.54	.42	.35	.30	.52	.42	.35	.30	.41	.34	.30
9	.50	.39	.32	.27	.49	.38	.32	.27	.37	.31	.27
10	.47	.36	.29	.25	.46	.35	.29	.24	.34	.28	.24

Type:

- 4 board 4', or 8 board 8', LED downlight with white aluminum reflector, white aluminum parabolic cross baffle louver with 0.080 flat frosted acrylic lens overlay, and 2" o.c. louver spacing.

Construction:

-20ga. cold rolled steel welded housing

Finish:

-Baked Powder coated finish, paint after fabrication.

Colors:

-Three standard colors
 WT - Sky white (DuPont® PFW665S9)
 BL - Matte black (DuPont® UFB634S2)
 GR - Camaro silver (DuPont® UFA402M9)

Reflector:

-Enhanced white aluminum reflector(s)
 -90% reflectance

Louver:

-4' white aluminum parabolic cross baffle louver with 0.080 flat frosted acrylic lens overlay, and 2" o.c. louver spacing.
 -Two louvers per 8' unit

Driver:

-High Efficiency Drivers coupled with long-life LEDs

Lamp:

-560MM 48 LED linear module

Options:

BPL - Emergency Battery Pack, operates 10Watt LED load @ 18-48VDC for 90 minutes