

busSTRUT READY

busSTRUT specification sheet

Linear Light w/ Squared Lens

busSTRUT	Ckt Amps	Voltage	Type	Length	CRI	Lumen Package	Delivered Lumens	Watts	lm/w	Kelvin	(F) Finish	(DC) Option Codes	Catalog Number
BR	20	100-277 VAC	LED	4'	80	9000	6707	50.8	132	3000K	W=White	EM=Battery Pack WLC=Wireless Lighting Controls	BRDL-4-49-30K80-W-(DC)

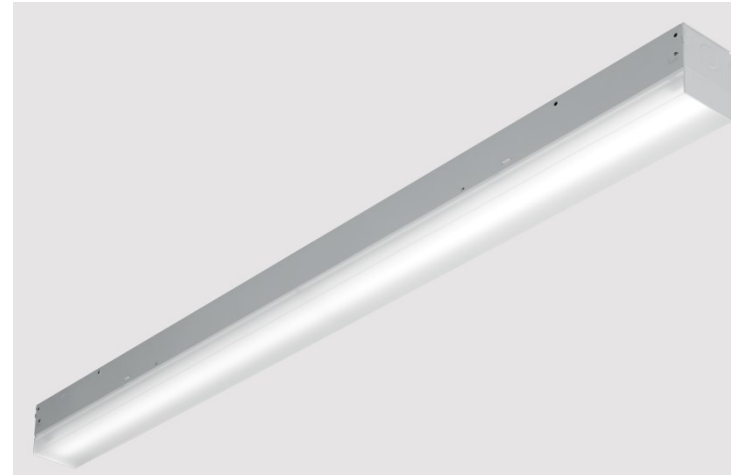
1. TYPE : 4' LED General light.
2. CONSTRUCTION : 22 Ga. cold rolled steel welded housing.
3. FINISH : Baked powder coated finish, paint after fabrication.
W - White
4. OPTICAL : Milky Lens.
5. LUMEN PACKAGE : 9 - Nominal 9000 lumens LED system.
6. VOLTAGE : UNV - Universal voltage 120v thru 277v.
7. CRI/CCT : 835 - 80+ CRI, 3500K color temperature.
8. LED SYSTEM : High efficiency driver coupled with long-life LEDs

Lumen Package	Lens	CRI / CCT	Delivered Lumens	System Watts	Luminaire Efficacy
9000	FRA	830	6707 LM	50.8W	132 LPW

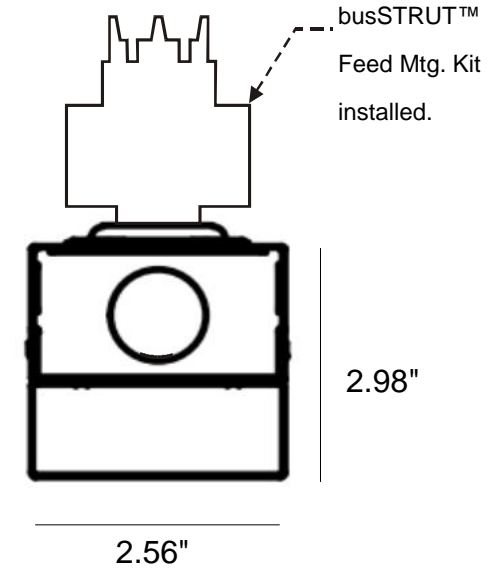
Note: System data above are based on 120V input voltage.

9. FEEDERS : Factory installed busSTRUT™ one or two circuit pre-wired fitters.
Mounting kit #LF20-2-20-UNIV-WD-W / #LF20-3-20-UNIV-WD-W

10. LABEL : ETL listed.
11. Options : EM - Battery Pack and/or
WLC - Wireless Lighting Control



CROSS SECTION



BACK PLATE busSTRUT™ Mounting Kit

