

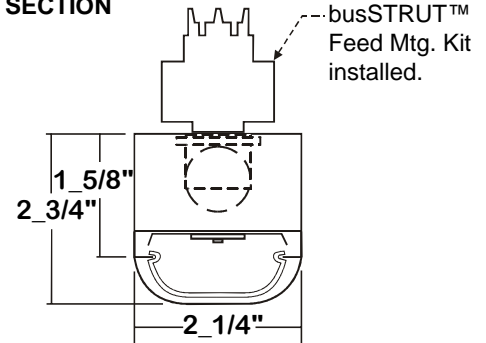
CUSTOMER SUBMITTAL SHEET

ITEM # LCD1500	DESCRIPTION LED Channel with Rounded Lens	DATE
------------------------------	--	-------------

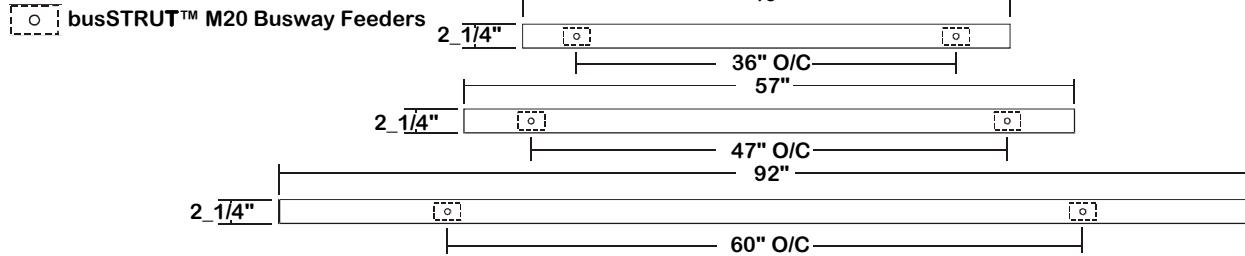
JOB NAME	DESIGNED FOR *	APPROVED BY
-----------------	--------------------------	--------------------



CROSS SECTION



BACKPLATE



1. TYPE : LED strip with diffuser.
2. CONSTRUCTION : 22 Ga. cold rolled steel welded housing.
3. FINISH : Baked powder coated finish, painted after fabrication.
W - Sky white (DuPont® PFW665S9)
G - Camaro silver (DuPont® UFA402M9)
B - Matte black (DuPont® UFB634S2)
4. OPTICAL : FRWA - Frosted white acrylic lens.
5. LUMEN PACKAGE : 2K - Nominal 2000 lumens LED system.
3K - Nominal 3000 lumens LED system.
4K - Nominal 4000 lumens LED system.
6K - Nominal 6000 lumens LED system.
6. VOLTAGE : UNV - Universal voltage 120v thru 277v.
7. CRI/CCT : 835 - 80+ CRI, 3500k color temperature.
930 - 90+ CRI, 3000k color temperature.
8. LED SYSTEM : High efficiency driver coupled with long-life LEDs, service life greater than 50,000 hours (L70).

Fixture Length	Lumen Package	CRI / CCT	Delivered Lumens	System Watts	Luminaire Efficacy
4'	2K	835	1760.8 LM	15.76 W	111.69 LPW
4'	3K	835	2581.7 LM	24.35 W	106.01 LPW
5'	2K	930	1712.3 LM	18.59 W	92.12 LPW
8'	4K	835	3239.6 LM	28.71 W	112.86 LPW
8'	6K	835	4895.3 LM	45.76 W	106.97 LPW

Note: System data above are based on 120V input voltage.

9. WIRING : One set of busSTRUT™ M20 busway feeders installed
 (LT20-2-20-UNIV-TK-H & LT20-2-20-UNIV-TKN-H)

10. CATALOG NUMBER :

- LCD1500-2-4L-(COLOR)-FRWA-1DRDM-UNV-1/835**
- LCD1500-3-4L-(COLOR)-FRWA-1DRDM-UNV-1/835
- LCD1500-2-5L-(COLOR)-FRWA-1DRDM-UNV-1/930
- LCD1500-4-8L-(COLOR)-FRWA-1DRDM-UNV-1/835
- LCD1500-6-8L-(COLOR)-FRWA-1DRDM-UNV-1/835