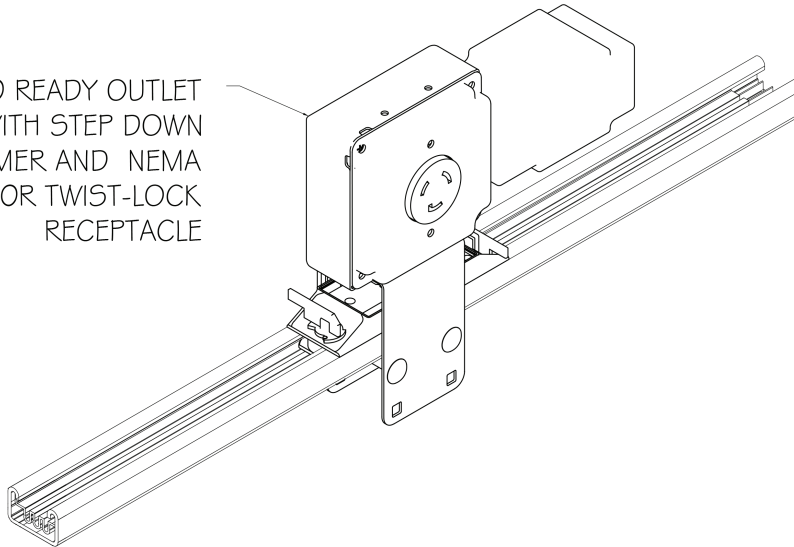


busSTRUT POWER™
OUTLET BOX

(F) Finish	Catalog Number
G=Galv. BL = Black WH = White	P20-3-40-TRAN-OB-L520-G

busSTRUT/20 READY OUTLET
BOX WITH STEP DOWN
TRANSFORMER AND NEMA
L5-20R TWIST-LOCK
RECEPTACLE



General:

-Outlet box for use with busSTRUT/20; and includes a 71A9741-J Philips Advance 300VA transformer to step down 277V to 120V for a NEMA L5-20R Twist Lock Receptacle. Available in galvanized, white and black.

