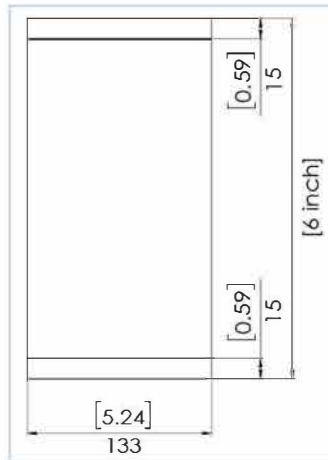
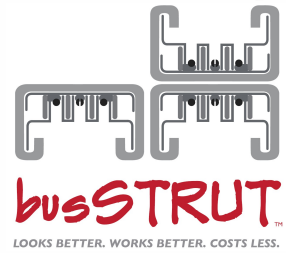


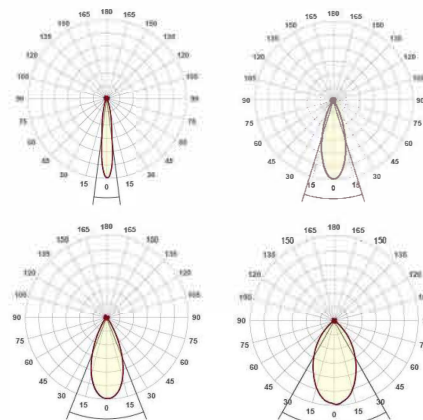
CL0240R06 30W



GENERAL SPECIFICATION

Light Source	Bridgelux LED			
Color Temperature	2700K,3000K,3500K,4000K			
CCT	2700	3000	3500, 4000	
Luminous Flux(@90CRI)*	2090	2250	2400	
Efficiency(LPW@90CRI)	76	81	87	
CRI Options	80 / 90			
Color Binning	3 Step			
Beam Angle° (±3°)	SP(15°)	NF(35°)	FL(43°)	WF(60°)
CBCP(@90CRI)	18270	6180	4620	2710
Power Consumption(±10%)	27.5W			
Input Voltage(±10%)	120V / 277V			
Input Current	0.23A / 0.12A			
Frequency	50Hz / 60Hz			
Power Factor	>0.9			
THD	<20%			
Dimming	Triac / ELV / 0-10V			
Weight	2,000 g			
Certification	Pending			
Available Finish	Black, White, Silver			
Accessories	SNOOT, PIN HOLE, Decorative Trim			

LIGHT DISTRIBUTION



Luminous Flux*: Lumen and CBCP output varies based on Wattage, CCT and CRI. Table left is based on 80 CRI fixture. To estimate lumen and CBCP output of other combinations, multiply photometric data by factors below.

80CRI		
2700K	3000K	3500,4000K
0.93	1	1.07
90CRI		
2700K	3000K	3500,4000K
0.8	0.86	0.93

ORDER CODE

Example: CL0240R06-30W-SF00-LN-NF-3090-AC-BK

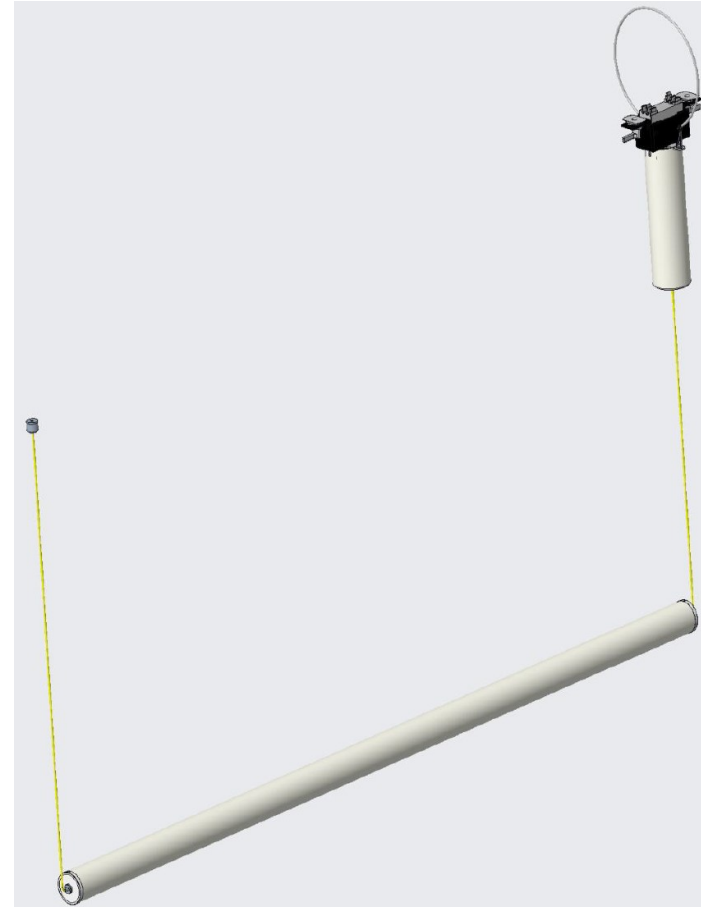
Fixture	Adapter	length	Optics	Beam	CCT	CRI	Dimming	Finish
CL0240R06 - 30W	SF Surface Mount	00 ---	LN LENS	SP	27 2700K	80 Min.80	AC LE/TE	WH White
	SM Stem Mount	01 1ft		NF	30 3000K	90 Min.90	0V 0-10V	BK Black
	B S bus STRUT MT	02 2ft		FL	35 3500K			SL Silver
		04 4ft		WF	40 4000K			

Pendant - Tube Light

busSTRUT READY

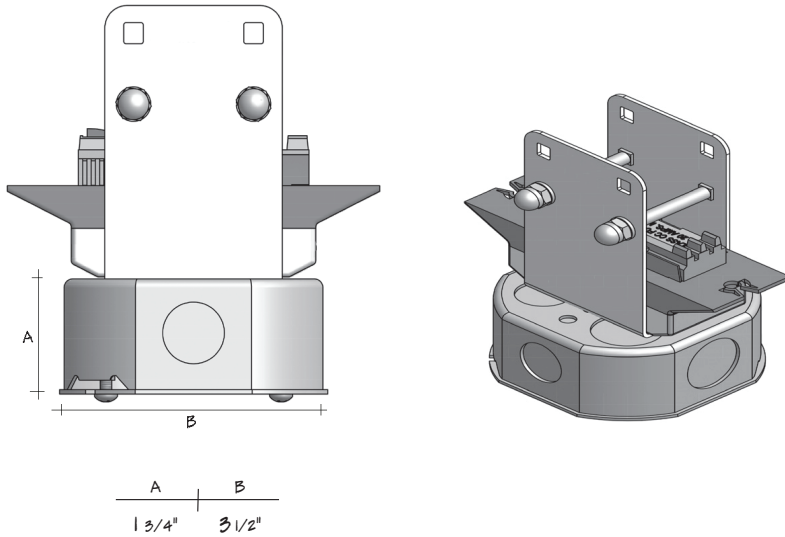
FEATURES

- 120 / 277V
- 360 degrees of light distribution
- Indirectly suspended/powered from pre-installed busSTRUT fitting with 5' cable from chrome colored end-cap



busSTRUT	VOLTAGE	TYPE	DELIVERED LUMENS	WATTS	LM/W	CCT	Finish	CATALOG NUMBER
BR	120/277 V	LED	1800	18	100	3500K	WH = White	BR-TUBE-35k-WH

OCTAGON BOX	busSTRUT	Ckt Amps	Voltage	Type	CRI	Lamp lm	Fixture lm	Watts	lm/w	Beam	CBCP	(F) Finish	Catalog Number
	LB	20	120									B= Black W= White	LB20-2-20-120-DW-(F)

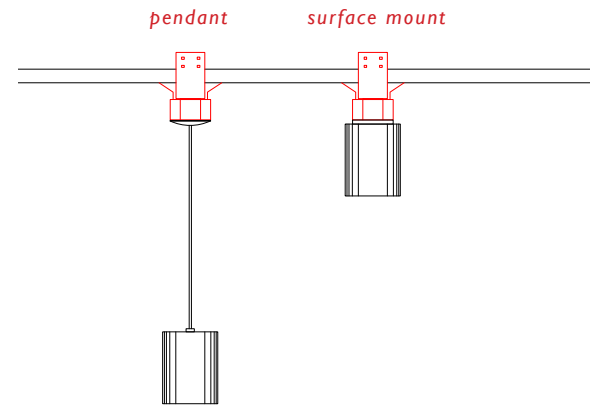


Description:

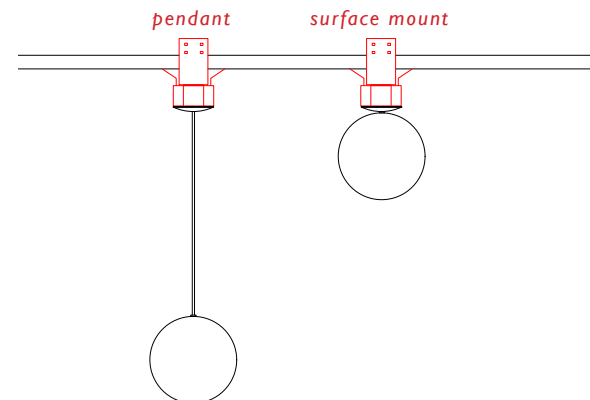
- Octagon boxes are for use with busSTRUT single and double-deck.
- Come complete with a 2 pole flip-fitter and a mounting hardware.
- Included are 12" PREWIRED lead lengths.
- Available in white and black.

GENERAL LIGHTING busSTRUT OCTAGON BOX

For use with **downlights** (by others)

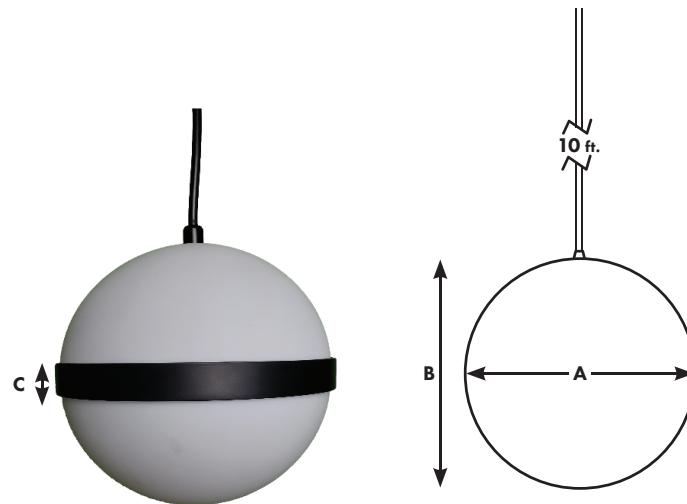


For use with **decorative light** (by others)



FEATURES

- Steel band around center of globe
- 10' field-cuttable black cord
- 120V (no transformer required)



SPECIFICATIONS:

HARDWARE MATERIAL	Steel
SHADE MATERIAL	Acrylic

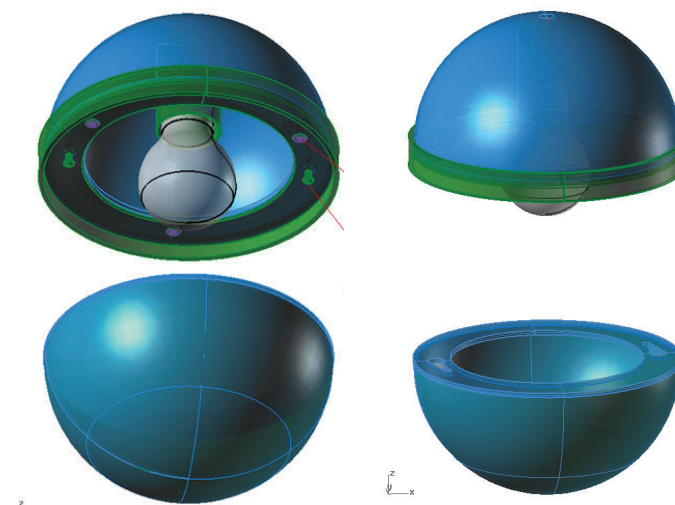
A	7"
B	7"
C	1"

LAMP SPECIFICATIONS:





busSTRUT	VOLTAGE	TYPE	DELIVERED LUMENS	WATTS	CCT	CRI	AVG. BULB HOURS	LAMP INCLUDED	CATALOG NUMBER
BR	120 V	LED	500	6	3000K	90	25,000	Yes	BR-GLOBE8-3000K-BL

LAMPING

- Includes E26 base for use with LED lamp that can be replaced by separating the upper acrylic shade from the lower acrylic shade



Architectural busSTRUT Corp

Item	Items Description	IMAGE
Shell Pendant SND982992	Dia21.25" * H12.59" Body finish: oak + painted 3000K integrated led 6'clear adjustable cord	
Hammer Pendant MDO985427	Dia5.9" * H7.48" outside: painted Lime inside: painted white 3000K integrated led 6'clear adjustable cord	
Hammer Pendant MDO985427	Dia5.9" * H7.48" outside: painted Blue inside: painted white 3000K integrated led 6'clear adjustable cord	
Hammer Pendant MDO985427	Dia7.08" * H8.66" outside: painted Lime inside: painted white 3000K integrated led 6'clear adjustable cord	
Hammer Pendant MDO985427	Dia7.08" * H8.66" outside: painted Blue inside: painted white 3000K integrated led 6'clear adjustable cord	