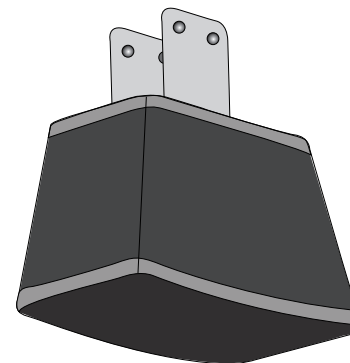
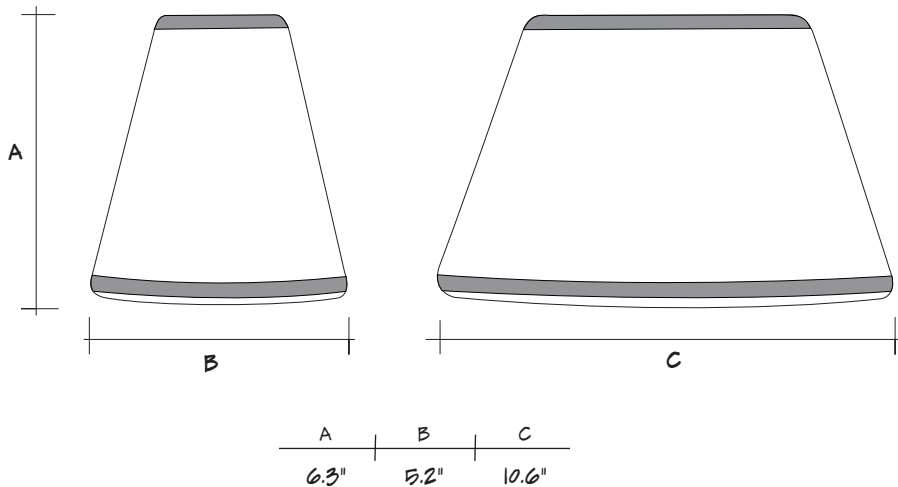


**SONOS PLAY:3 SPEAKER**  
shown with Linksys Receiver on galvanized busSTRUT

**busSTRUT AUDIO™**  
**PLAY:3 SPEAKER**

busSTRUT	Ckt Amps	Voltage	Total Amps	(F) Finish	Catalog Number
BR	20	120	20	BL = Black WH = White	BR-PL3-120-(F)



**Audio:**

- Amplifier: 3 Class D digital amplifiers
- Speakers: Three driver speaker system-one tweeter, two mid-range drivers, and one bass radiator. Each driver of the product is individually powered by a dedicated amplifier.

**Audio Formats Supported:**

- Support for compressed MP3, iTunes Plus, WMA, AAC, MPEG4, ACC+, Ogg Vorbis, Audible (format 4), Apple Lossless, FLAC (lossless) music files, as well as uncompressed WAV and AIFF files.

**Playlists Supported:**

- iTunes, Phapsody, WinAmp, Windows Media Player, and MusicMatch

**Internet Radio Supported:**

- Streaming MP3, WMA

**Playback Modes:**

- Crossfade, shuffle, repeat

**3 SPEAKERS POWERED BY 3 DEDICATED DIGITAL AMPLIFIERS**

The PLAY:3 uses state-of-the-art digital amplifiers individually coupled with 3 speakers to deliver great sound to any room. The wireless music system provides pure, clean sound that is perfect for bringing room filling music to any store. A bass radiator produces power low notes while two mid-range drivers and one tweeter fills out the sound.

**TWEETER**

1 tweeter creates a crisp and accurate high frequency response.

**BASS RADIATOR**

A bass radiator is tuned to use the energized air volume inside of PLAY:3 to provide deep, clean and surprisingly powerful bass from such a small package.

**ALL DIGITAL SOUND ARCHITECTURE**

From the recording studio to your store the music is reproduced as the artist intended. All filter settings, active equalization, and time-alignment are done in the digital domain through state-of-the-art DSP circuitry so there's absolutely no loss of audio quality or energy.

**ADJUSTABLE BASS AND TREBLE CONTROLS**

Optimize sound performance using room-specific bass, treble, balance, and loudness controls. Adjust volume by individual room or by groups of rooms.

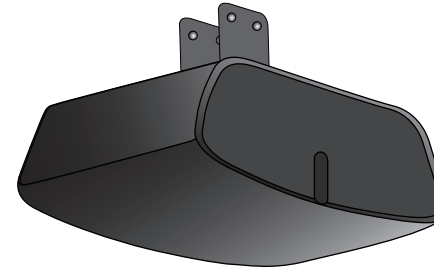
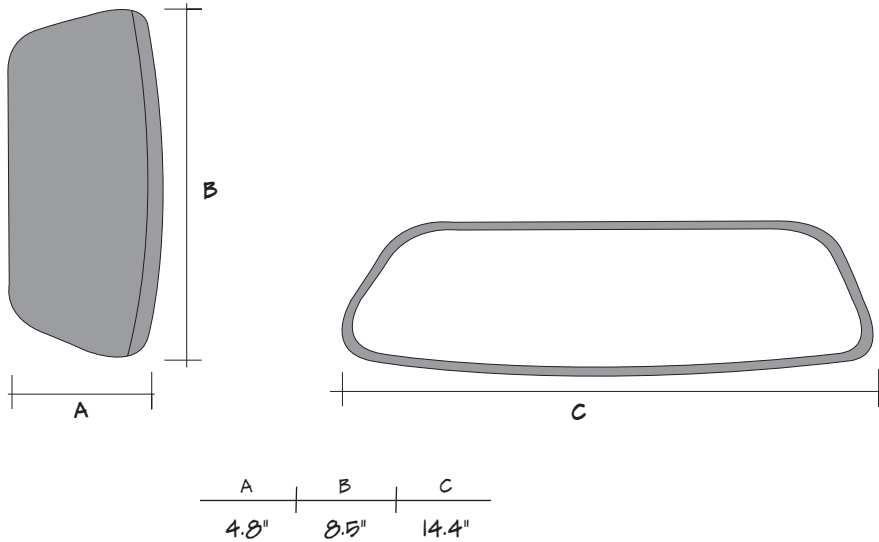
busSTRUT



**SONOS PLAY:5 SPEAKER**  
shown with Linksys Receiver on galvanized busSTRUT

**busSTRUT AUDIO™**  
**PLAY: 5 SPEAKER**

busSTRUT	Ckt Amps	Voltage	Total Amps	(F) Finish	Catalog Number
BR	20	120	20	BL = Black WH = White	BR-PL5-120-(F)



**Audio:**

- Amplifier: 5 Class D digital amplifiers
- Speakers: Three driver speaker system-one tweeter, two mid-range drivers, and one bass radiator. Each driver of the product is individually powered by a dedicated amplifier.

**Audio Formats Supported:**

- Support for compressed MP3, iTunes Plus, WMA, AAC, MPEG4, ACC+, Ogg Vorbis, Audible (format 4), Apple Lossless, FLAC (lossless) music files, as well as uncompressed WAV and AIFF files.

**Playlists Supported:**

- iTunes, Phapsody, WinAmp, Windows Media Player, and MusicMatch

**Internet Radio Supported:**

- Streaming MP3, WMA

**Playback Modes:**

- Crossfade, shuffle, repeat

**5 SPEAKERS POWERED BY 5 DEDICATED DIGITAL AMPLIFIERS**

The PLAY:5 uses state-of-the-art digital amplifiers individually coupled with 5 speakers to deliver great sound to any room. The wireless music system provides pure, clean sound that is perfect for bringing room filling music to any store. The subwoofer produces powerful bass while two mid-range drivers and two tweeters fill out the sound.

**TWEETER**

2 tweeters create a crisp and accurate high frequency response.

**SUBWOOFER DRIVER**

Dedicated subwoofer driver provides deep, clean and surprisingly powerful bass you can feel.

**ALL DIGITAL SOUND ARCHITECTURE**

From the recording studio to your store the music is reproduced as the artist intended. All filter settings, active equalization, and time-alignment are done in the digital domain through state-of-the-art DSP circuitry so there's absolutely no loss of audio quality or energy.

**ADJUSTABLE BASS AND TREBLE CONTROLS**

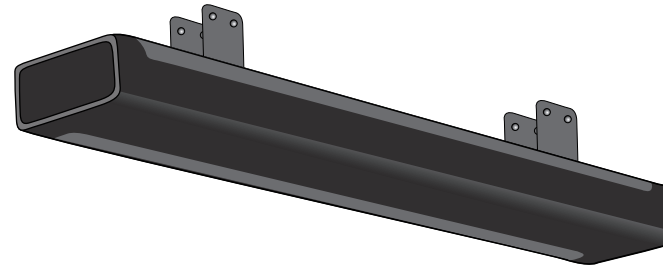
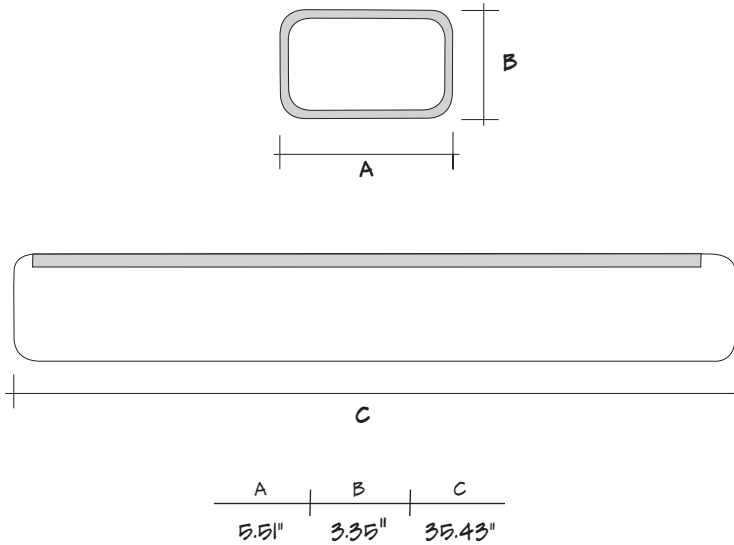
Optimize sound performance using room-specific bass, treble, balance, and loudness controls. Adjust volume by individual room or by groups of rooms.



**SONOS PLAYBAR SPEAKER**  
shown with Linksys Receiver on galvanized busSTRUT

**busSTRUT AUDIO™  
PLAYBAR SPEAKER**

busSTRUT	Ckt Amps	Voltage	Total Amps	(F) Finish	Catalog Number
BR	20	120	20	BL = Black WH = White	BR-PB-120-(F)



**Audio:**

- Amplifier: 9 Class D digital amplifiers perfectly tuned to match the speakers and acoustic architecture.
- Speakers: Three driver speaker system—one tweeter, two mid-range drivers, and one bass radiator. Each driver of the product is individually powered by a dedicated amplifier.

**Audio Formats Supported:**

- Support for compressed MP3, iTunes Plus, WMA, AAC, MPEG4, ACC+, Ogg Vorbis, Audible (format 4), Apple Lossless, FLAC (lossless) music files, as well as uncompressed WAV and AIFF files.

**Playlists Supported:**

- iTunes, Phapsody, WinAmp, Windows Media Player, and MusicMatch

**Internet Radio Supported:**

- Streaming MP3, WMA

**Playback Modes:**

- Crossfade, shuffle, repeat

**SPEAKERS**

Clearer. Nine amplified speakers—six mid-range and three tweeters—PLAYBAR replaces the steady drip of typical speakers with deep booms, crystal-clear whispers, and huge waves of live concert sound. And with automatic equalization, the system self-adjusts for rich, seamless performance.

**TWEETER**

3 tweeters create a crisp and accurate high frequency response.

**SUBWOOFER DRIVER**

Dedicated subwoofer driver provides deep, clean and surprisingly powerful bass you can feel.

**ALL DIGITAL SOUND ARCHITECTURE**

From the recording studio to your store the music is reproduced as the artist intended. All filter settings, active equalization, and time-alignment are done in the digital domain through state-of-the-art DSP circuitry so there's absolutely no loss of audio quality or energy.

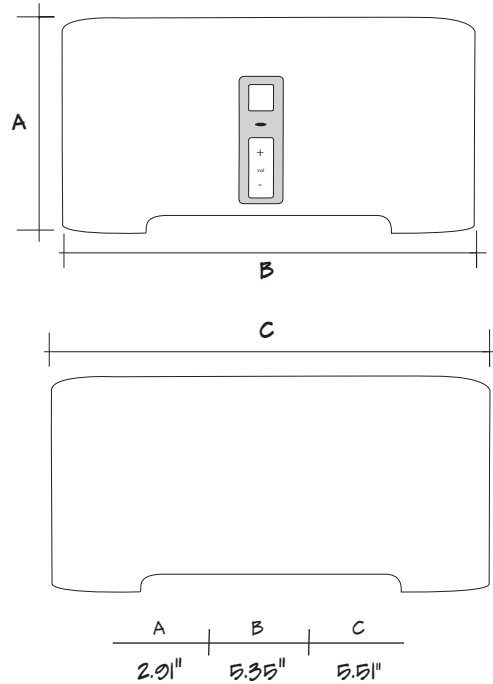
**ADJUSTABLE BASS AND TREBLE CONTROLS**

Optimize sound performance using room-specific bass, treble, balance, and loudness controls. Adjust volume by individual room or by groups of rooms.



**busSTRUT AUDIO™  
CONNECT**

busSTRUT	Ckt Amps	Voltage	Total Amps	(F) Finish	Catalog Number
CON	20	120	20	WH = White	BR-CON-120-W



**Audio:**

-CONNECT converts the analog signal to a digital signal that then travels along the busSTRUT BUSWAY using busLINK technology, and is received by the linksys sender that distributes the signal to each of the receivers along the busLINK network.

**Network Bridging:**

-2-port switch allows Ethernet devices to connect through the Sonos Connect

**Product Finish:**

-White/high quality polycarbonate material

**Internet Radio Supported:**

-Streaming MP3, WMA

**Playback Modes:**

-Crossfade, shuffle, repeat

**busSTRUT busLINK NETWORK TECHNOLOGY**

Provides whole-store coverage, ensures synchronous music playback, and avoids sources of wireless interference. Incorporating sophisticated MIMO (multiple input, multiple output) technology, busLINK uses multiple antennas and radios together with the busSTRUT circuit to carry the uninterrupted signal anywhere along the busSTRUT.

**FRONT-PANEL PLAY/PAUSE CONTROLS**

Provides quick access to music, volume, and play/pause controls when you don't have a controller in hand. Press the Mute button once to start or stop the music and twice to skip the next track.

**HEAR THE SAME SONG IN EVERY SPACE IN PERFECT SYNCHRONIZATION**

Play the same song in different rooms, simultaneously, without echoes or delays. Add or drop rooms from your rooms grouping and still be in sync.